



YouTube



Facebook



LinkedIn

CHEN HSONG

CH 2025.05

Add.: Unit 2001, 20th Floor, Citicorp  
Centre, 18 Whitfield Road,  
Hong Kong

Tel: 400 930 0026  
(0755) 8413 9999

Web: [www.chenhsong.com](http://www.chenhsong.com)



# JM-PET/S2

*PET Preforms Made Easy*

160-560T

SINCE



## We believe that superior PET preforms are born from superior technology.

Our JM-PET/S2 is a comprehensive system designed to deliver tangible benefits to your production floor. We've focused on the critical requirements of PET processing to ensure you achieve optimal results, every cycle.

### FEATURING



#### Optimised Energy Management

Our specialised PET screw & eDrive™ (optional) enable efficient, rapid cycles. Maximise quality output, slash energy.



#### Specialised Screw for PET Materials

Dedicated PET screw means optimal melt and material integrity. Perfect for industries from Food to Cosmetics.



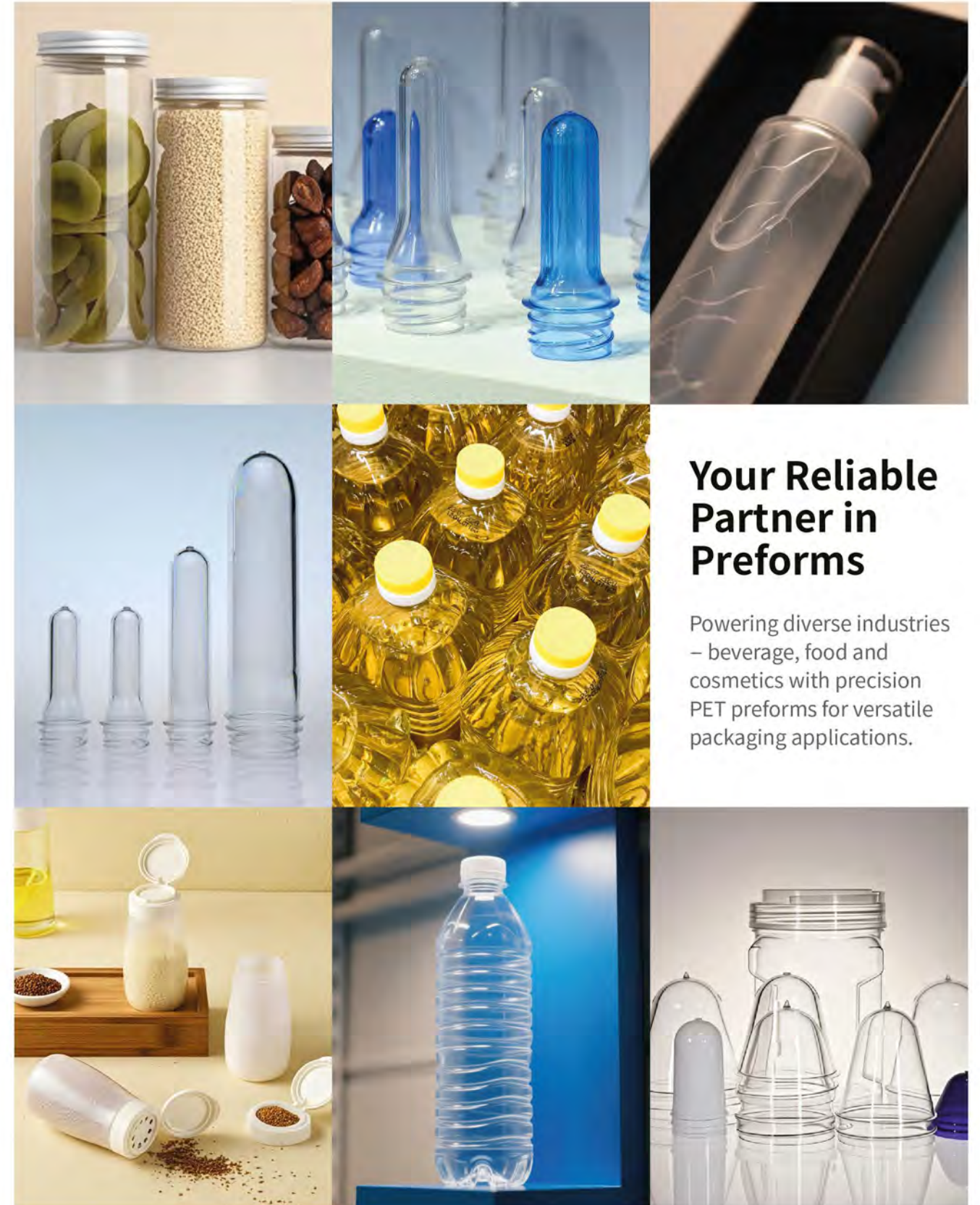
#### User-centric Design

Ultra-durable parts design. Easy setup, intuitive controls for smooth and continuous operation.



#### Enhanced Parts for Flexibility in Mold Choices

Dedicated ejector to allow the production of a wide range of complex molds.



### Your Reliable Partner in Preforms

Powering diverse industries – beverage, food and cosmetics with precision PET preforms for versatile packaging applications.

# Efficient, Stable and Energy-Saving

## Injection Unit

Precise injection control for versatile, high-quality preform production, improving efficiency and lowering costs.



## E-Drive™ OPTIONAL

Boosts production efficiency 10%-30% by enabling simultaneous plasticising with mold open/close and ejection.



## Specialised Screw Design

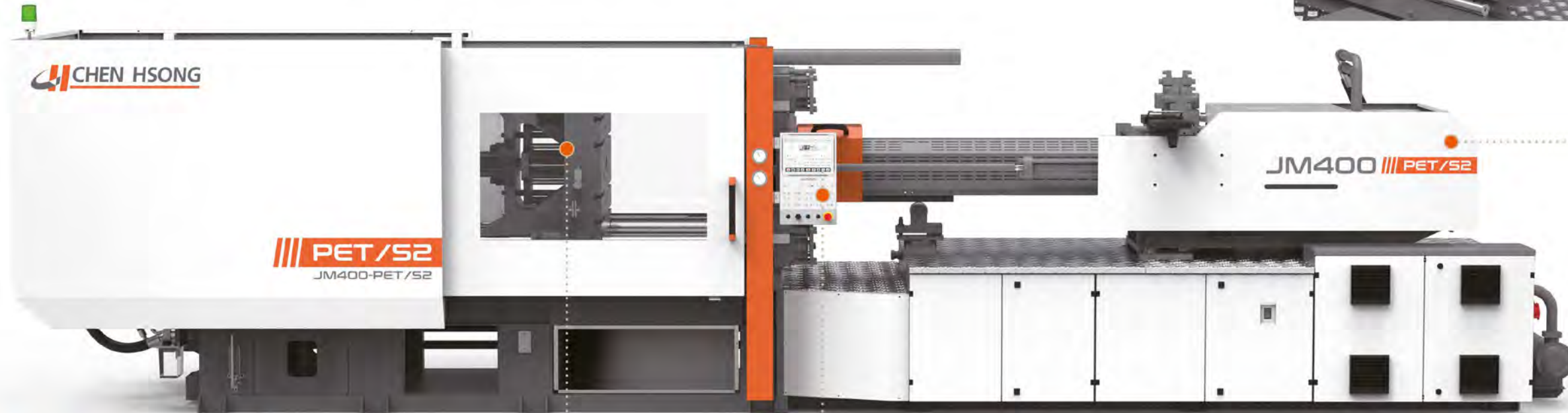
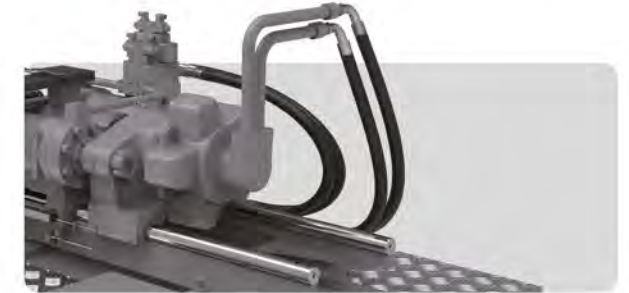
25:1 specialised PET screw for optimal speed and melt quality.

For Cosmetics: Ensures flawless, uniform color for premium bottle appeal.  
For Water/Oil Bottles: Boosts plasticising 20%+ for high-output, clear bottles.



## High-Speed, Wear-Resistant Hydraulic Motor

High-throughput motor specially designed for durability and low-wear, ensuring extended life and consistent melt quality.



# Stability, Precision and Convenience

## Optimised Ejector

Greater ejection stroke/force allows efficient, versatile production with complex molds.



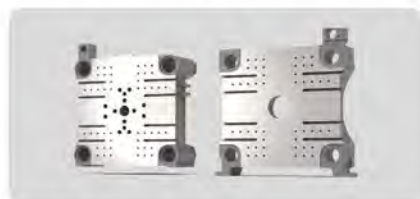
## Large Water Manifold

Boosts cooling, reduces blockage, improves product stability.



## T-Slots + Mounting Holes

Easy mold installation, improves reliability.



# Precision at Your Fingertips

## Fluid Touch-Screen

Effortless control with smooth touch-screen operation.



## Industrial-Grade CPU

Operable in industrial environments from -20°C to 65°C.

## F-RAM Technology

Auto-saves settings for seamless, uninterrupted performance.

## JM-PET/S2 PET Specifications

SPECIFICATION	UNIT	JM160-PET/S2	JM200-PET/S2	JM260-PET/S2	JM320-PET/S2	JM400-PET/S2	JM480-PET/S2	JM560-PET/S2						
<b>INJECTION UNIT</b>														
Shot Weight (PET)	g	527	794	1142	1142	1598	1598	2191	2191	2851	2851	3829	2851	3829
Injection Capacity	cm <sup>3</sup>	488	735	1058	1058	1480	1480	2029	2029	2640	2640	3545	2640	3545
Screw Diameter	mm	52	60	67	67	75	75	83	83	90	90	98	90	98
Injection Pressure (Max.)	kgf/cm <sup>2</sup>	1388	1349	1082	1425	1137	1448	1182	1453	1236	1504	1268	1504	1268
Screw Stroke	mm	230	260	300	300	335	335	375	375	415	415	470	415	470
Screw Rotation Speed (Max.)	rpm	163	145	149	149	122	153	136	157	130	147	113	147	113
Injection Rate	cm <sup>3</sup> /s	210	272	431	327	513	503	616	582	755	698	827	698	827
Injection Speed (Calculated)	mm/s	98.9	96.3	122.0	92.9	116.0	113.9	113.9	107.5	118.7	109.7	109.7	109.7	109.7
Screw L/D	L/D	25	25	25	25	25	25	25	25	25	25	25	25	25
Nozzel Force (Max.)	ton	5.8	5.8	5.8	9	9	9	9	9	9	9	9	9	9
Nozzel Stroke	mm	250	280	280	330	330	360	360	420	420	420	420	420	420
<b>CLAMPING UNIT</b>														
Clamping Force	ton	160	200	260	320	400	480	560						
Mold Opening Stroke	mm	420	490	530	600	700	770	835						
Space Between Tie Bars (H • V)	mm	460×460	530×530	580×580	660×660	760×710	810×810	855×855						
Mold Thickness (Min-Max)	mm	160-520	180-550	195-610	220-660	250-730	275-810	330-850						
Max. Daylight	mm	940	1040	1140	1260	1430	1580	1685						
Ejector Force	ton	5.8	9.3	11.1	18.2	18.2	18.2	18.2						
Ejector Stroke	mm	140	165	180	200	220	250	250						
Mold Register Hole	mm	100	160	160	160	200	200	200						
<b>POWER PACK</b>														
System Pressure	MPa	17.5	17.5	17.5	17.5	17.5	17.5	17.5						
Oil Pump Power	kW	25	29	38	38	51	67	67	67	72	89	89	89	89
Temperature Control Zone		5+1	5+1	5+1	6+1	6+1	6+1	6+1	6+1	6+1	7+1	7+1	7+1	7+1
<b>OTHERS</b>														
Machine Dimensions (L•W•H)	m	5,6×1,2×1,7	6×1,45×1,85	6,7×1,5×1,97	7,2×1,6×2,1	8,5×1,85×2,1	9,1×1,9×2,2	9,3×1,95×2,3						
Oil Tank Capacity	L	280	380	430	560	750	820	820						
Machine Weight (Approx.)	ton	4.6	6.1	8.1	10.3	13.1	16.7	18.6						

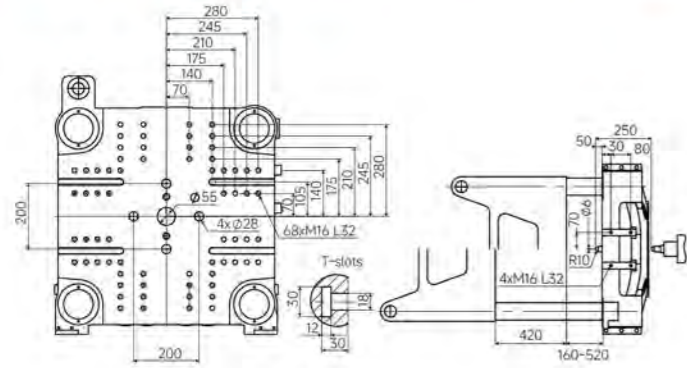
## JM-PET/S2 Features (Standard/Optional)

INJECTION UNIT		HYDRAULICS		ELECTRICALS		CLAMPING UNIT	
Configurations		Configurations		Configurations		Configurations	
Specialised PET Screw and Barrel	●	Feed-Throat Temperature Control	○	12" Touch-Screen Controller	●	Enlarged Ejection Force, Longer Ejection Stroke	●
High-Speed, Wear-Resistant Hydraulic Motor	●	Powder-Coated Hopper	○	Standard Robot Interface with Connectors	●	Oilless Bushings on Moving Platen	●
Lubrication Pump (Manual) for Injection Unit	●	Extended Nozzle	○	Tri-Colour Status Indicator	●	Anti-Contamination Design	●
Dual Injection Carriage Cylinders	●	Customised Nozzle Designs	○	Fully Networkable for Industry 4.0	○	Lubrication Pump (Manual) for Mold Height Adjustment	●
Digital Back Pressure Control	●	Lubrication Pump (Automatic) for Injection Unit	○	Digital Power Meter	○	Stainless Steel Product Chute	●
Hopper Slider	●	Infrared Heater Bands	○	Additional Power Sockets	○	Reserved Core Pull Positions (Wired)	●
PET-Specialised Feed-Throat	●	Ceramic Heater Bands	○				
Enhanced-Strength Injection Unit Base	●	Valve Gates Control	○				
eDrive™ (Servo-Electric Recovery/Plasticising)	○	Shut-Off Nozzle (Pneumatic)	○				
Enlarged Plasticising Motor	○						

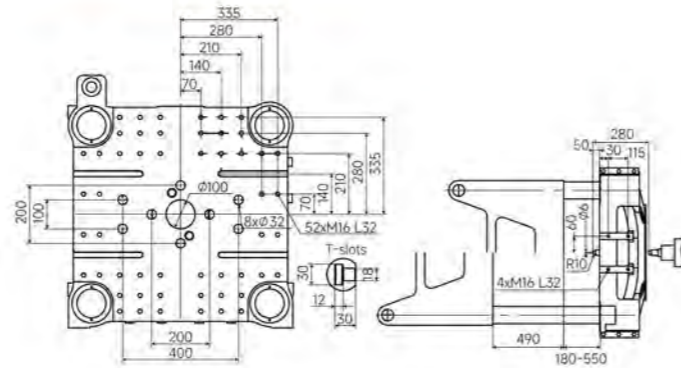
\*Technical specifications above are for reference only and subject to changes. The company reserves the right to change product specifications, parameters and auxiliary equipment appearance without prior notice. Final interpretation of this specification sheet belongs to the company.

● Standard Feature ○ Optional Feature

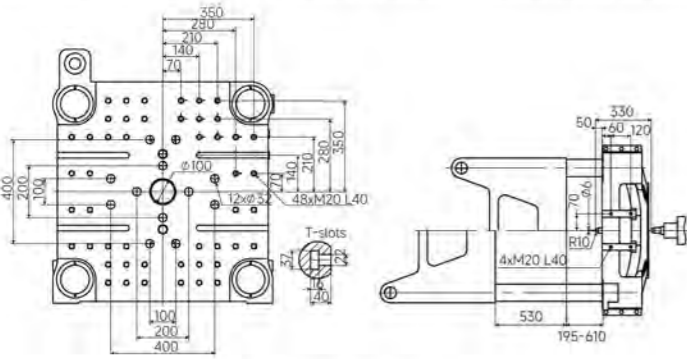
## JM-PET/S2 Platen Dimensions



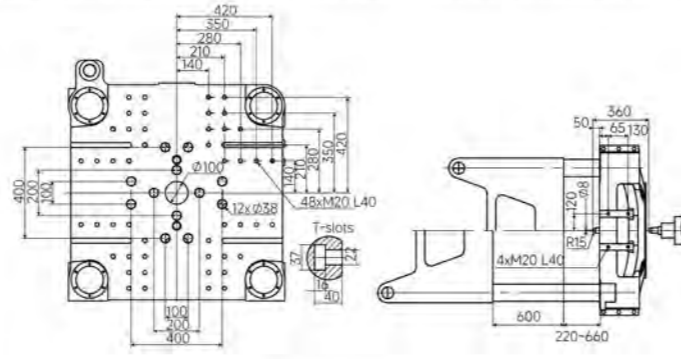
JM160-PET/S2



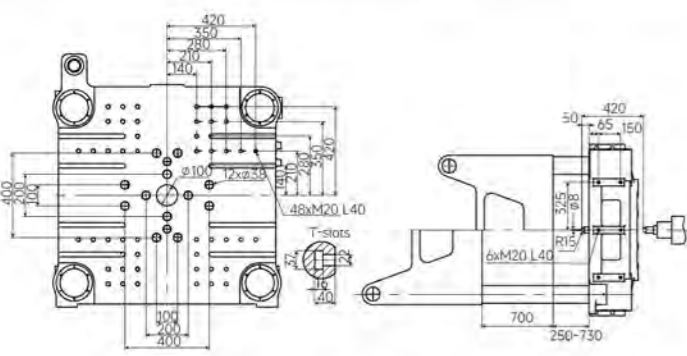
JM200-PET/S2



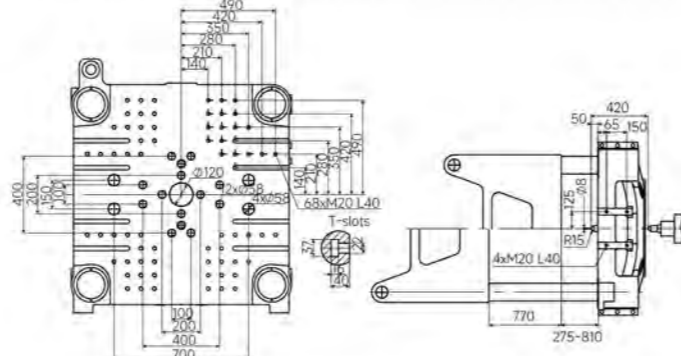
JM260-PET/S2



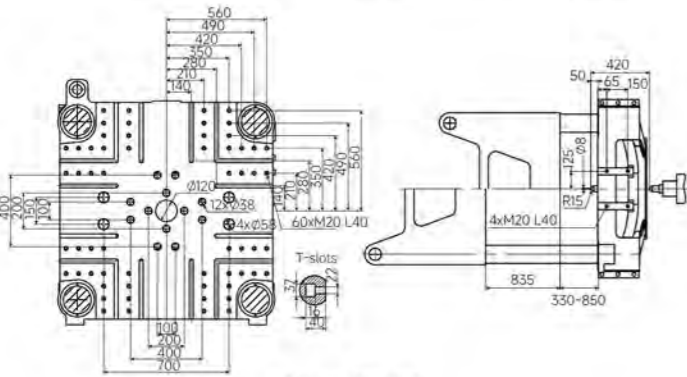
JM320-PET/S2



JM400-PET/S2

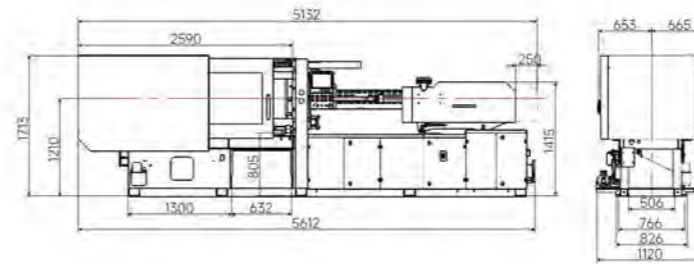


JM480-PET/S2

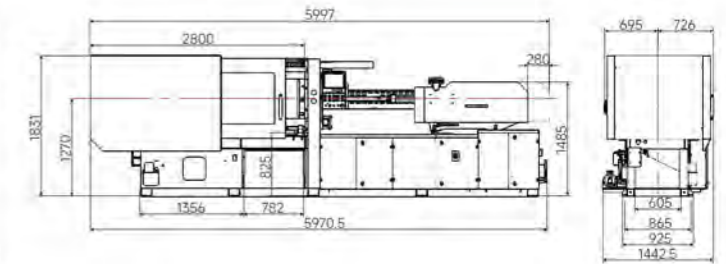


JM560-PET/S2

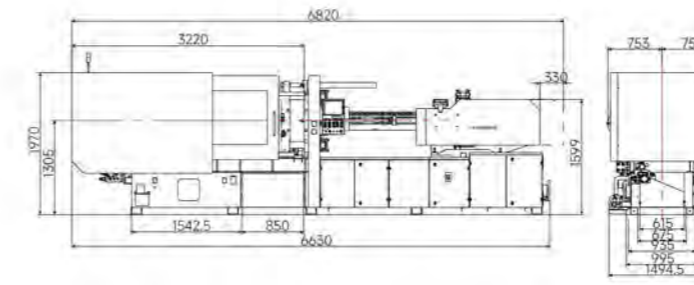
## JM-PET/S2 Machine Dimensions



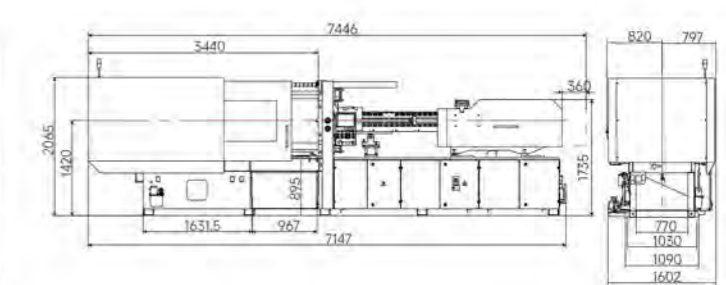
JM160-PET/S2-tp52



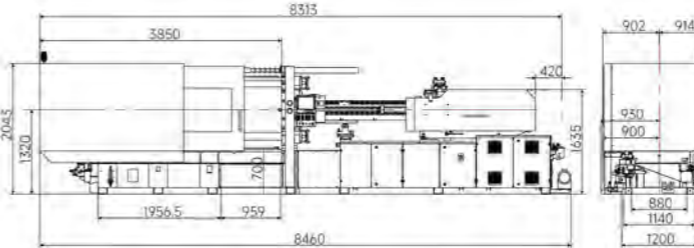
JM200-PET/S2-tp60



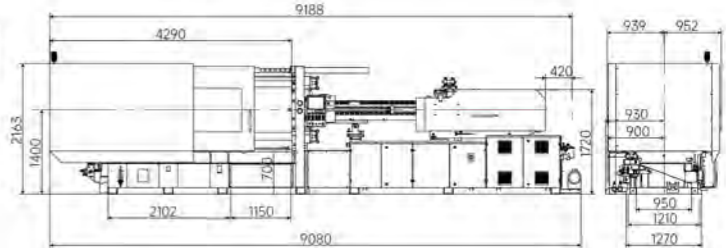
JM260-PET/S2-tp67



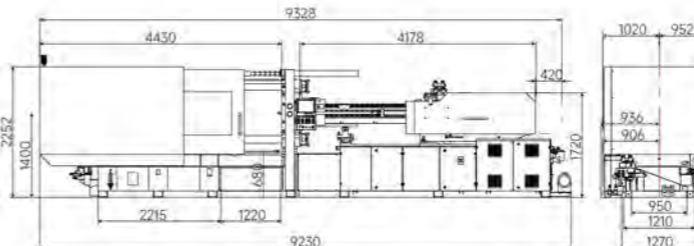
JM320-PET/S2-tp75



JM400-PET/S2-tp83



JM480-PET/S2-tp90



JM560-PET/S2-tp90

## Common Use Cases for JM-PET/S2

PET's inherent adaptability makes it a prime choice for an extensive range of packaging solutions, meeting diverse product protection and presentation needs.

JM-PET/S2 delivers critical features like precise material processing for the **Food and Beverage** industry (edible oil, drinks, mineral water, seasoning bottles), design flexibility for unique **Cosmetic** industry packaging (skincare bottles), and consistent quality essential for the demanding **Pharmaceutical industry** (pill bottles).



**BOTTLES**



**COSMETICS**



**WIDE-MOUTH**



**SEASONING**

Ensures food-grade quality. Consistent, safe packaging for your seasonings.



**BEVERAGE**

Delivers crystal-clear preforms. High output of flawless bottle preforms.



**OIL**

Delivers crystal-clear preforms. High output of flawless bottle preforms.



**CLEAR**

Optimal clarity perfect for aesthetic-driven industry's visual demands.



**OPAQUE**

Precise control and specialized screw achieve perfect opaqueness for light-sensitive cosmetics.



**SNACKS**

Wide-mouth for easy access. Optimal clarity perfect for transparency.



**CLEAR PILL BOTTLE**

Precision injection and optimized ejection achieve top clarity. Wide-mouth for easy access.



**OPAQUE PILL BOTTLE**

Precise control and specialized screw achieve perfect opaqueness for light-sensitive pills.