



YouTube



Facebook



LinkedIn

CHEN HSONG

Add.: Unit 2001, 20th Floor, Citicorp  
Centre, 18 Whitfield Road,  
Hong Kong

Tel: 400 930 0026  
(0755) 8413 9999

Web: [www.chensong.com](http://www.chensong.com)

CH 2025.07



# JM-UPVC

*The Ultimate UPVC Machine*

165-650T

SINCE



# CHEN HSONG

## Powering Your Future in Intelligent Injection Molding

Driven by its founding principle, "Your Vision is Our Mission", the Chen Hsong Group, established in 1958 and publicly listed in Hong Kong since 1991, has evolved over nearly 70 years from an injection molding machine manufacturer into a one-stop total solutions provider in plastics manufacturing. As one of the world's largest producers of injection molding machines, Chen Hsong achieves unmatched quality through complete in-house manufacturing. This vertically integrated approach means controlling everything from ductile iron castings, parts fabrication and core components (such as advanced controllers) to final assembly. With a comprehensive product matrix serving diverse industries like automotive and medical, we are also spearheading smart manufacturing upgrades through the iChen™ Smart Family Suite, including the iChen™ Smart Factory MES, iChen™ Cloud platform, and iChen™ AI Molder, making the path to Industry 4.0 easily accessible for our global clientele.

**800,000m<sup>2</sup>**  
R&D and Production Facilities (Four locations)

**85+**  
Countries Globally

**1,000,000+**  
Injection Molding Machines in the Field

**120+**  
Global Technical & Service Centres



Headquarters in Hong Kong



Shenzhen Industrial Park Factory **560000m<sup>2</sup>**



Taiwan Taoyuan Factory **30000m<sup>2</sup>**



Foshan Shunde - Two Factories **150000m<sup>2</sup>**



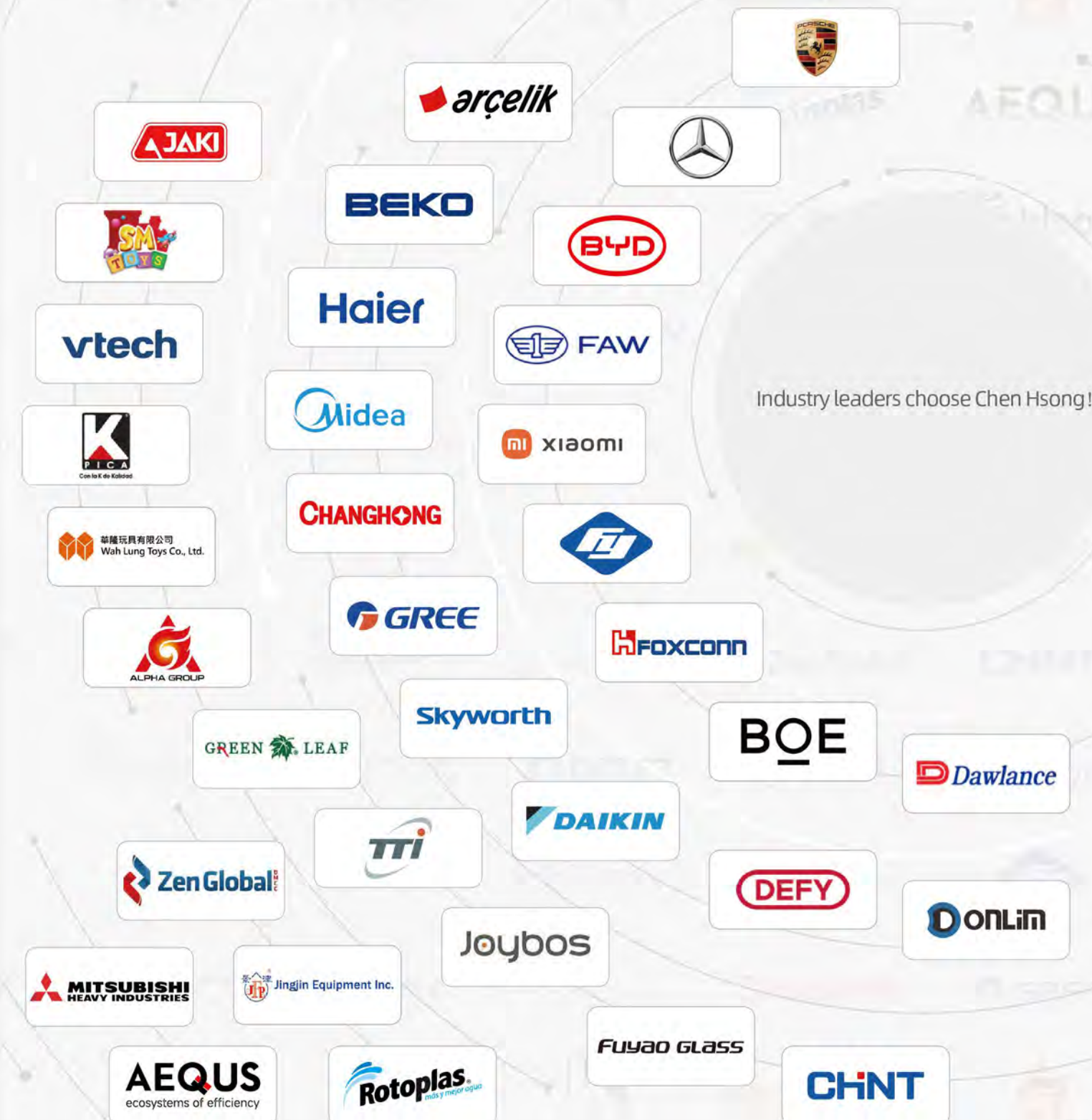
Zhejiang Ningbo Factory **70000m<sup>2</sup>**



Shanwei Luhe Factory **62360m<sup>2</sup>**

**Over 1 million+ Chen Hsong machines are in operation worldwide.**

They all use Chen Hsong.



# JETMASTER-UPVC

– Designed for UPVC

Based on decades of practical applications experience, Chen Hsong designed the perfect injection moulding machine for UPVC, redefining what it means to be a “UPVC machine”.

**First among others, it stands higher than the rest.**

The JETMASTER-UPVC series includes the latest-generation 10.4” large-screen intelligent controller, specialty-designed bi-metallic screw and barrel set, stronger clamping unit, reinforced machine base, and high-torque plasticising motor.

Perfectly suitable for producing UPVC pipe fittings, power switches and sockets, building components, metallic tools etc. Chen Hsong also stands ready to provide specialised solutions for any unconventional needs



## A perfect screw for UPVC

High-quality bi-metallic screw and barrel set with superior anti-corrosive performance.

Specialty-designed screw gives a perfect melt, and perfect yields, every single time

## Need for Speed

Faster clamp movement, faster injection, faster ejector, faster cycles... make faster money.

Dry cycle is much faster than the nearest competition.

## We know you care, so we care

Only top grade components for top grade products.

Top branded hydraulic and electrical components, together with high-precision transducers and controls, bring you the reliability you deserve.

## Shhhhh..... Whisper quiet

We “hear” you. You can have it.

High-end interior gear pump and high-response servo-system ensure snappy, highly-synchronised, high-precision movements that give very little noise due to the absence of mechanical and hydraulic shocks.

## Powerful yet power-sipping

Fully optimised power pack achieves first-class energy efficiency

Advanced power-saving servo-drive technology and patented injection unit design, minimise power draw and cooling water needs.

## Nothing lasts forever – but this is close

UPVC means ample opportunities for the material to eat your machine up.

Liberal uses of stainless steel, high-quality powder coating and anti-corrosive paint treatment make the entire machine highly corrosive-resistant, allowing it to last much longer.

\* Product images are for reference only and subject to change without notice.

# Standard features

For all applications



**Specialty-designed UPVC screw**  
Wholly-encapsulated bi-metallic, anti-corrosive.



**High strength plasticising motor**  
High torque, low noise, high stability under low speed



**2 sets of core pulls**  
Fulfill product moulding requirements



**Specialty UPVC nozzle**  
Short nozzle with anti-corrosive interior plating



**Digital back pressure control**  
Controller-controlled for high precision.



**Fan-cooled barrel**  
Convection-type cooling tunnel design, high efficiency, high temperature stability.



**T-slots plus mounting holes**  
Best of both worlds, no need to choose



**Extra-wide doors and guards**  
Perfect for UPVC pipe fittings  
160-200T - 300mm    260-480T - 500mm    560-650T - 700mm



**Stainless steel hopper**  
Corrosive-resistant and clean.



**Advanced intelligent controller system with 10.4" display**  
MPC 7.0 intelligent networkable computer controller, designed in Japan



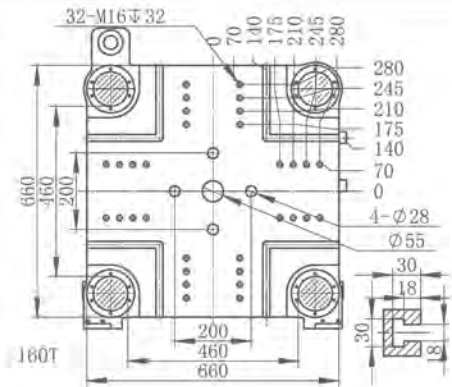
**Stainless steel product chute**  
Standard for 160-320T models only



**Dual balanced injection cylinders**  
Smooth injection movements

# JM160-UPVC

## Specifications



### Injection Unit

Screw Diameter	mm	46
Screw L/D Ratio	L/D	21.0
Screw Stroke	mm	230
Swept Volume	cm <sup>3</sup>	382
Shot Weight (UPVC)	g	446
Shot Weight (UPVC)	oz	15.7
Injection Pressure (Max.)	kgf/cm <sup>2</sup>	1773
Injection Rate	cm <sup>3</sup> /s	160
Screw Rotation Speed(Max.)	rpm	139
Nozzle Force	ton	5.8
Nozzle Stroke	mm	250

### Clamping Unit

Clamping Force(Max.)	ton	160
Opening Stroke	mm	420
Space Between Tie Bar(H*V)	mm	460x460
Mould Thickness(Min-Max.)	mm	160-520
Maximum Daylight	mm	940
Ejector Force(Max.)	ton	4.2
Ejector Stroke	mm	140
Mould Register Hole(H7)	mm	100

### Power/ Heating Unit

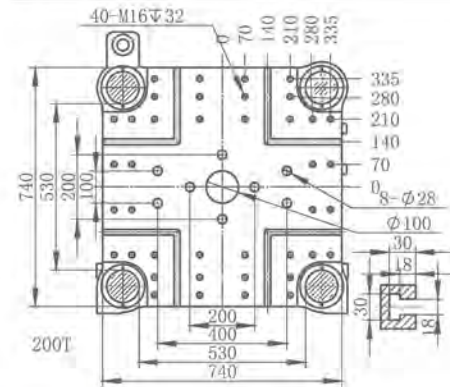
System Pressure	kgf/cm <sup>2</sup>	175
Pump Motor Power	kW	16
Electrical Heating Power	kW	11.1
Temperature Control Zones		3+1
No. of cooling fans		3

### Others

Machine Dimensions(L*W*H)	m	5.2*1.5*2.0
Oil Tank Capacity	L	250

# JM200-UPVC

## Specifications



### Injection Unit

Screw Diameter	mm	52
Screw L/D Ratio	L/D	21.0
Screw Stroke	mm	260
Swept Volume	cm <sup>3</sup>	551
Shot Weight (UPVC)	g	644
Shot Weight (UPVC)	oz	22.7
Injection Pressure (Max.)	kgf/cm <sup>2</sup>	1795
Injection Rate	cm <sup>3</sup> /s	199
Screw Rotation Speed(Max.)	rpm	122
Nozzle Force	ton	5.8
Nozzle Stroke	mm	280

### Clamping Unit

Clamping Force(Max.)	ton	200
Opening Stroke	mm	490
Space Between Tie Bar(H*V)	mm	530x530
Mould Thickness(Min-Max.)	mm	180-550
Maximum Daylight	mm	1040
Ejector Force(Max.)	ton	6.7
Ejector Stroke	mm	150
Mould Register Hole(H7)	mm	160

### Power/ Heating Unit

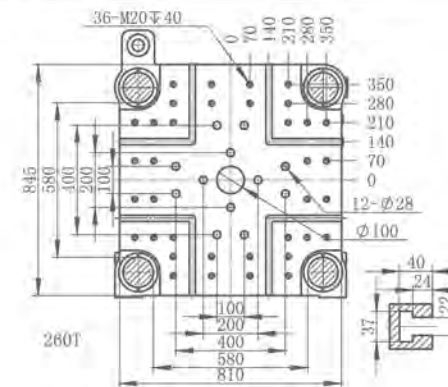
System Pressure	kgf/cm <sup>2</sup>	175
Pump Motor Power	kW	24
Electrical Heating Power	kW	14.2
Temperature Control Zones		4+1
No. of cooling fans		3

### Others

Machine Dimensions(L*W*H)	m	5.7*1.7*2.1
Oil Tank Capacity	L	320

# JM260-UPVC

## Specifications



### Injection Unit

Screw Diameter	mm	60
Screw L/D Ratio	L/D	21.0
Screw Stroke	mm	300
Swept Volume	cm <sup>3</sup>	847
Shot Weight (UPVC)	g	990
Shot Weight (UPVC)	oz	34.9
Injection Pressure (Max.)	kgf/cm <sup>2</sup>	1776
Injection Rate	cm <sup>3</sup> /s	255
Screw Rotation Speed(Max.)	rpm	129
Nozzle Force	ton	9.0
Nozzle Stroke	mm	330

### Clamping Unit

Clamping Force(Max.)	ton	260
Opening Stroke	mm	530
Space Between Tie Bar(H*V)	mm	580x580
Mould Thickness(Min-Max.)	mm	195-610
Maximum Daylight	mm	1140
Ejector Force(Max.)	ton	7.7
Ejector Stroke	mm	170
Mould Register Hole(H7)	mm	160

### Power/ Heating Unit

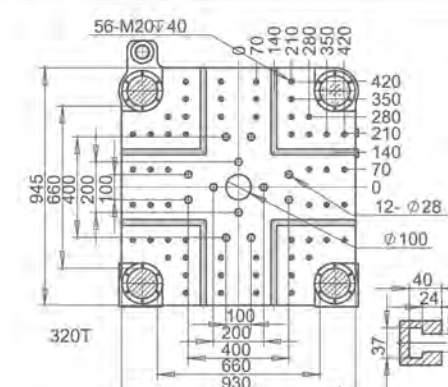
System Pressure	kgf/cm <sup>2</sup>	175
Pump Motor Power	kW	36
Electrical Heating Power	kW	16.9
Temperature Control Zones		4+1
No. of cooling fans		4

### Others

Machine Dimensions(L*W*H)	m	6.4*2.0*2.2
Oil Tank Capacity	L	410

# JM320-UPVC

## Specifications



### Injection Unit

Screw Diameter	mm	67
Screw L/D Ratio	L/D	21.0
Screw Stroke	mm	335
Swept Volume	cm <sup>3</sup>	1180
Shot Weight (UPVC)	g	1380
Shot Weight (UPVC)	oz	48.6
Injection Pressure (Max.)	kgf/cm <sup>2</sup>	1814
Injection Rate	cm <sup>3</sup> /s	313
Screw Rotation Speed(Max.)	rpm	121
Nozzle Force	ton	9.0
Nozzle Stroke	mm	360

### Clamping Unit

Clamping Force(Max.)	ton	320
Opening Stroke	mm	600
Space Between Tie Bar(H*V)	mm	660x660
Mould Thickness(Min-Max.)	mm	220-660
Maximum Daylight	mm	1260
Ejector Force(Max.)	ton	7.7
Ejector Stroke	mm	170
Mould Register Hole(H7)	mm	160

### Power/ Heating Unit

System Pressure	kgf/cm <sup>2</sup>	175
Pump Motor Power	kW	48
Electrical Heating Power	kW	22.4
Temperature Control Zones		4+1
No. of cooling fans		4

### Others

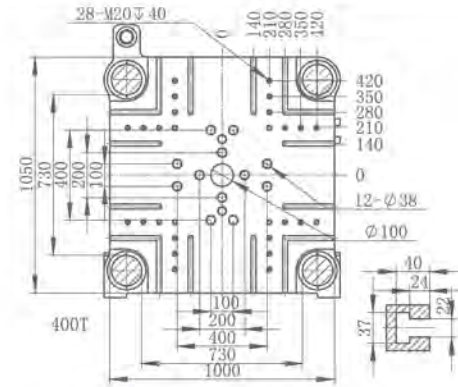
Machine Dimensions(L*W*H)	m	6.7*2.1*2.4
Oil Tank Capacity	L	540

\*The technical parameters above are for reference only and discrepancies may arise in different circumstances. The company keeps upgrading

the products and reserves the right to change the product specifications and parameters without prior notice. The final interpretation to the above specifications and parameters belongs to the company.

# JM400-UPVC

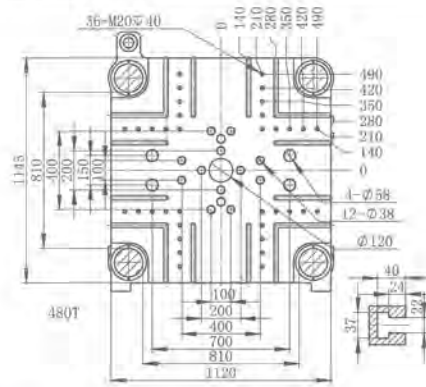
## Specifications



Injection Unit		
Screw Diameter	mm	75
Screw L/D Ratio	L/D	21.0
Screw Stroke	mm	375
Swept Volume	cm <sup>3</sup>	1655
Shot Weight (UPVC)	g	1936
Shot Weight (UPVC)	oz	68.0
Injection Pressure (Max.)	kgf/cm <sup>2</sup>	1779
Injection Rate	cm <sup>3</sup> /s	398
Screw Rotation Speed(Max.)	rpm	121
Nozzle Force	ton	9.0
Nozzle Stroke	mm	420
Clamping Unit		
Clamping Force(Max.)	ton	400
Opening Stroke	mm	670
Space Between Tie Bar(H*V)	mm	730x730
Mould Thickness(Min-Max.)	mm	250-730
Maximum Daylight	mm	1400
Ejector Force(Max.)	ton	11.1
Ejector Stroke	mm	220
Mould Register Hole(H7)	mm	200
Power/ Heating Unit		
System Pressure	kgf/cm <sup>2</sup>	175
Pump Motor Power	kW	68
Electrical Heating Power	kW	28.2
Temperature Control Zones		5+1
No. of cooling fans		5
Others		
Machine Dimensions(L*W*H)	m	7.5*2.2*2.3
Oil Tank Capacity	L	670

# JM480-UPVC

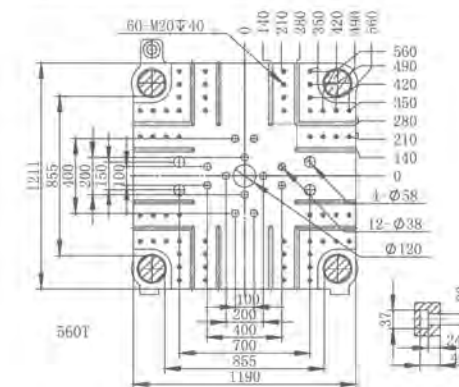
## Specifications



Injection Unit		
Screw Diameter	mm	83
Screw L/D Ratio	L/D	21.0
Screw Stroke	mm	415
Swept Volume	cm <sup>3</sup>	2244
Shot Weight (UPVC)	g	2625
Shot Weight (UPVC)	oz	92.5
Injection Pressure (Max.)	kgf/cm <sup>2</sup>	1768
Injection Rate	cm <sup>3</sup> /s	514
Screw Rotation Speed(Max.)	rpm	129
Nozzle Force	ton	9.0
Nozzle Stroke	mm	420
Clamping Unit		
Clamping Force(Max.)	ton	480
Opening Stroke	mm	770
Space Between Tie Bar(H*V)	mm	810x810
Mould Thickness(Min-Max.)	mm	275-810
Maximum Daylight	mm	1580
Ejector Force(Max.)	ton	11.1
Ejector Stroke	mm	220
Mould Register Hole(H7)	mm	200
Power/ Heating Unit		
System Pressure	kgf/cm <sup>2</sup>	175
Pump Motor Power	kW	72
Electrical Heating Power	kW	33.9
Temperature Control Zones		5+1
No. of cooling fans		5
Others		
Machine Dimensions(L*W*H)	m	8.3*2.3*2.3
Oil Tank Capacity	L	800

# JM560-UPVC

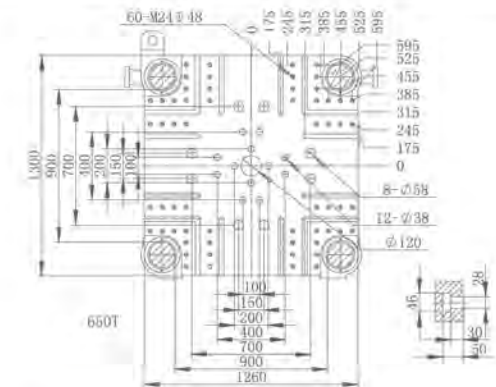
## Specifications



Injection Unit		
Screw Diameter	mm	83
Screw L/D Ratio	L/D	21.0
Screw Stroke	mm	415
Swept Volume	cm <sup>3</sup>	2244
Shot Weight (UPVC)	g	2625
Shot Weight (UPVC)	oz	92.5
Injection Pressure (Max.)	kgf/cm <sup>2</sup>	1768
Injection Rate	cm <sup>3</sup> /s	514
Screw Rotation Speed(Max.)	rpm	129
Nozzle Force	ton	9.0
Nozzle Stroke	mm	420
Clamping Unit		
Clamping Force(Max.)	ton	560
Opening Stroke	mm	835
Space Between Tie Bar(H*V)	mm	855x855
Mould Thickness(Min-Max.)	mm	330-850
Maximum Daylight	mm	1685
Ejector Force(Max.)	ton	16.6
Ejector Stroke	mm	250
Mould Register Hole(H7)	mm	200
Power/ Heating Unit		
System Pressure	kgf/cm <sup>2</sup>	175
Pump Motor Power	kW	72
Electrical Heating Power	kW	33.9
Temperature Control Zones		5+1
No. of cooling fans		5
Others		
Machine Dimensions(L*W*H)	m	8.6*2.8*2.3
Oil Tank Capacity	L	800

# JM650-UPVC

## Specifications



Injection Unit		
Screw Diameter	mm	90
Screw L/D Ratio	L/D	21.0
Screw Stroke	mm	450
Swept Volume	cm <sup>3</sup>	2861
Shot Weight (UPVC)	g	3347
Shot Weight (UPVC)	oz	118.0
Injection Pressure (Max.)	kgf/cm <sup>2</sup>	1797
Injection Rate	cm <sup>3</sup> /s	568
Screw Rotation Speed(Max.)	rpm	125
Nozzle Force	ton	9.0
Nozzle Stroke	mm	460
Clamping Unit		
Clamping Force(Max.)	ton	650
Opening Stroke	mm	920
Space Between Tie Bar(H*V)	mm	900x900
Mould Thickness(Min-Max.)	mm	350-900
Maximum Daylight	mm	1820
Ejector Force(Max.)	ton	18.2
Ejector Stroke	mm	265
Mould Register Hole(H7)	mm	200
Power/ Heating Unit		
System Pressure	kgf/cm <sup>2</sup>	175
Pump Motor Power	kW	84
Electrical Heating Power	kW	40.4
Temperature Control Zones		6+1
No. of cooling fans		5
Others		
Machine Dimensions(L*W*H)	m	10.3*3.0*2.5
Oil Tank Capacity	L	870