



YouTube



Facebook



LinkedIn

CHEN HSONG

Add.: Unit 2001, 20th Floor, Citicorp
Centre, 18 Whitfield Road,
Hong Kong

Tel: 400 930 0026
(0755) 8413 9999

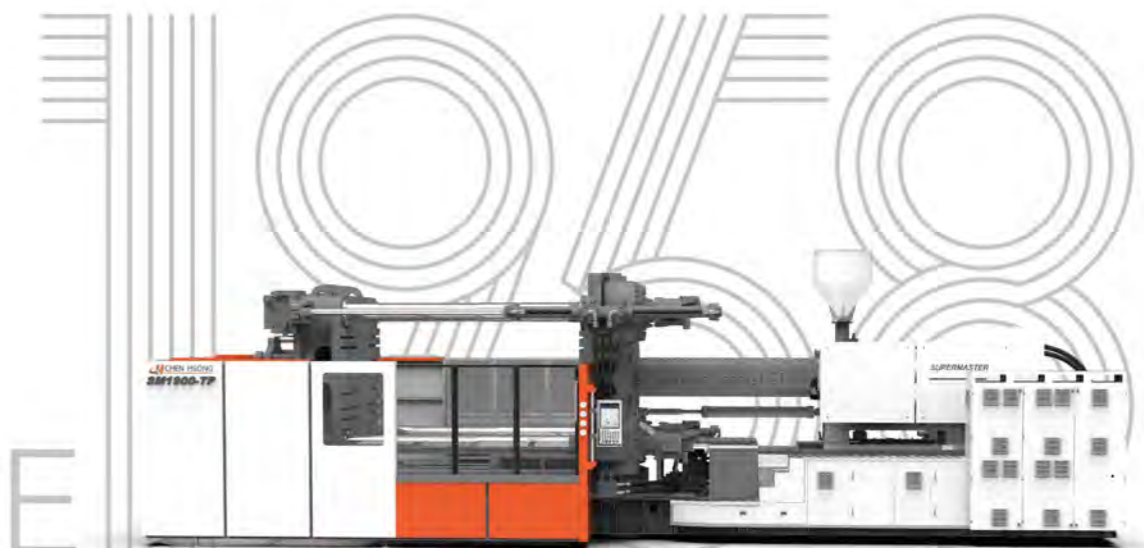
Web: www.chenhsong.com

CH 2025.09

SM-TP

Servo Two-Platen Injection Molding Machine

700-6500T



SINCE

CHEN HSONG

Powering Your Future in Intelligent Injection Molding

Driven by its founding principle, "Your Vision is Our Mission", the Chen Hsong Group, established in 1958 and publicly listed in Hong Kong since 1991, has evolved over nearly 70 years from an injection molding machine manufacturer into a one-stop total solutions provider in plastics manufacturing. As one of the world's largest producers of injection molding machines, Chen Hsong achieves unmatched quality through complete in-house manufacturing. This vertically integrated approach means controlling everything from ductile iron castings, parts fabrication and core components (such as advanced controllers) to final assembly. With a comprehensive product matrix serving diverse industries like automotive and medical, we are also spearheading smart manufacturing upgrades through the iChen™ Smart Family Suite, including the iChen™ Smart Factory MES, iChen™ Cloud platform, and iChen™ AI Molder, making the path to Industry 4.0 easily accessible for our global clientele.

800,000m²

R&D and Production Facilities (Four locations)

85+

Countries Globally

1,000,000+

Injection Molding Machines in the Field

120+

Global Technical & Service Centres



Headquarters in Hong Kong



Shenzhen Industrial Park Factory **560000m²**



Taiwan Taoyuan Factory **30000m²**



Foshan Shunde - Two Factories **150000m²**



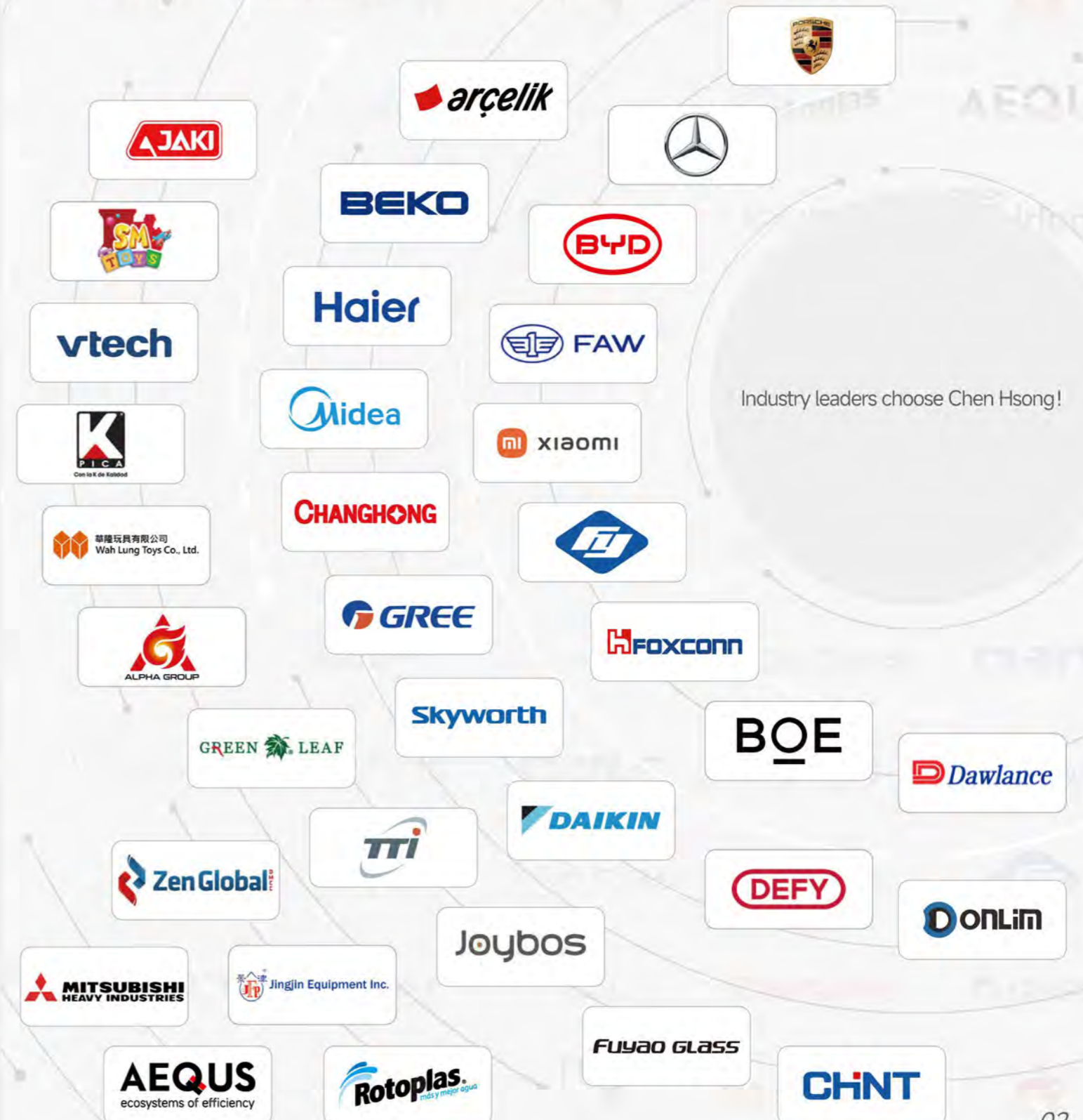
Zhejiang Ningbo Factory **70000m²**



Shanwei Luhe Factory **62360m²**

Over 1 million+ Chen Hsong machines are in operation worldwide.

They all use Chen Hsong.



SUPERMASTER

Two Platen Advanced Series

The SUPERMASTER TP-Series is a revolutionary "true" two-platen design from Chen Hsong. Designed in 3 years with a team led by leading European and Japanese industry experts, it represents a unique combination of world-class, no compromise performance and characteristic Chen Hsong affordability. Numerous innovations protected by international patents give this machine a price-performance value that is previously undreamt-of. Prepare to be blown away by the kind of wonders it can do to your operation - the possibilities are simply limitless..

① The Fastest Clamping Unit Available: 750mm/sec

Extremely fast clamp movements (8 seconds dry cycle for SM2200TP) significantly shorten cycle time

② Patented tie-bar/hydraulic connection

Reduces stress concentration and greatly simplifies maintenance



③ Patented high-speed automatic mold-height adjustment

Ensures accurate and fast operation

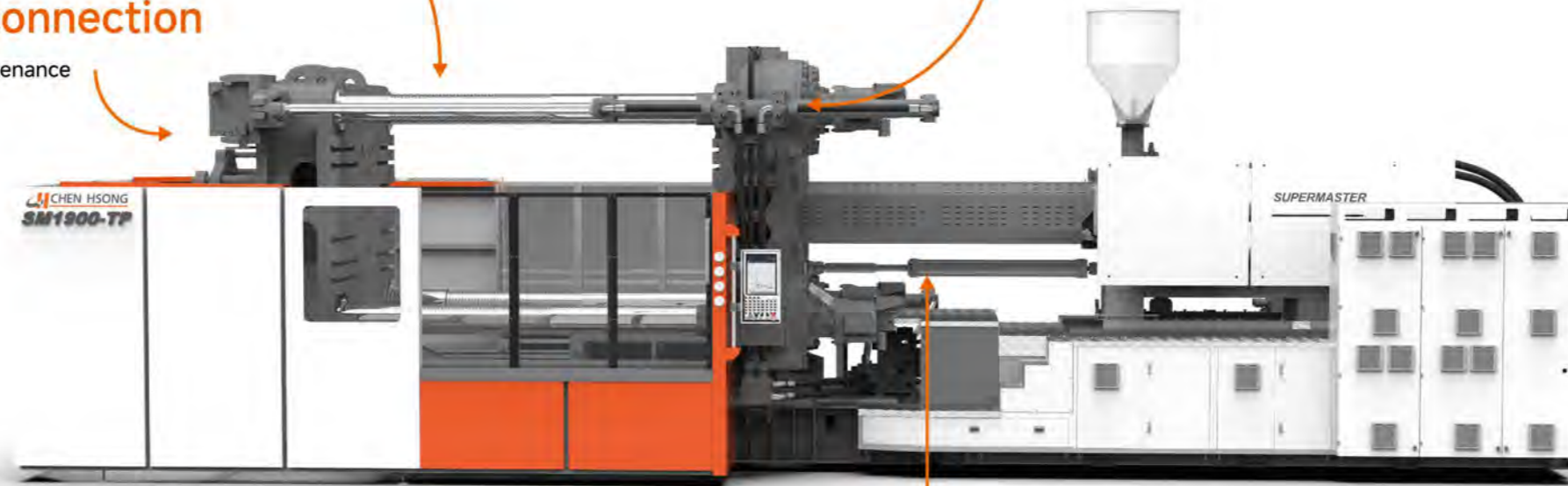
⑤ Patented inter-lock mechanism

Combines high speed and silent operation with extremely high precision and rock-solid reliability

State-of-the-Art Injection Unit Design

Extra feeding temperature control zone
Tri-colinear bearings ensure perfect alignment
Nozzle tip can be moved beyond the fixed platen by up to 300mm
All screws have L/D ratio of 1:22 for optimal melt quality*

④



Images of products are for your reference and subject to change without notice

*19:1 to 20:1 alternatives are available

Insist on "True" Two-Platen Design

Shortest footprint - easy to fit into any factory

Largest opening stroke



Second Generation Servo-Drive System

saves up to 80% Electricity*

Driven by a revolutionary intelligent servo system, the second-generation SVP/2 power pack combines a fast-response gear pump with a high-precision servomotor, integrated with a proprietary servo-drive into an affordable package that guarantees the highest response, highest precision and lowest power consumption at the same time.

Energy Saving

Saves up to 80% of electricity compared to traditional fixed pump systems*

Ultimate Response

Response speed is more than double of a variable displacement pump

Ultimate Precision & Repeatability

Up to 0.5% repeatability even under extremely low speed & prolonged holding conditions

Long Operational Life

Low oil temperature conserves cooling water and reduces the need for hydraulic oil, thus extending the useable lives of hydraulic parts



Items	SVP/2	Servo Pump	All Electric	Variable Pump
High Energy Saving	✓	✓	✓	●
High Precision	✓	●	✓	●
High Repeatability	✓	●	✓	●
Dynamic Response	✓	×	✓	●
Low Speed Control	✓	●	✓	×
Long Holding Pressure	✓	●	×	✓
Low Noise Level	✓	✓	✓	×
Low Cooling Water Consumption	✓	✓	✓	×
Long Operational Life	✓	●	×	✓
Ease of Maintenance	✓	✓	×	✓

✓ Excellent ● Average × Weak

Mix-and-Match with Unparalleled Flexibility

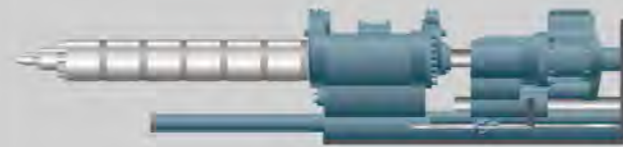
13 Clamping Units (from 700 to 6,500 tons) and
14 injection Units (Shot weight from 1,968 - 106,081 grams) for flexible mix-and-match.

14 Clamping Units (Clamping Force)



1	700tons
2	850tons
3	1050tons
4	1250tons
5	1450tons
6	1650tons
7	1900tons
8	2200tons
9	2600tons
10	3000tons
11	3600tons
12	4500tons
13	6500tons

14 Injection Units (Shot Weight)



J	1,968g
K	2,604g
N	3,430g
P	4,754g
Q	6,172g
A	7,847g
R	9,801g
B	13,180g
C	21,002g
D	31,431g
E	44,843g
F	61,166g
G	81,043g
H	106,081g



Exclusive Patented Circular Platen

- ① Even stress distribution to molds - improves production stability and part quality
- ② More uniform stress distribution helps extend mold life
- ③ Enhanced stiffness and structural integrity makes this design suitable for all molding applications



High-Response Two-Platen Specific Controller

- ① 15-inch LCD Intelligent Controller
- ② Meets Various JIS and IEC Inspection Standards
- ③ Integrated High-Speed Communication Bus and Closed-Loop Control Function
- ④ Equipped with Intelligent Fault Detection and Assisted Operation Instructions
- ⑤ Online Operation Help Guide / On-Screen Operation Assistance
- ⑥ Supports Latest Industry 4.0 Networking

Standard and Optional Features

Note: ● Standard, ○ Optional, * Not available, Numbers indicate required quantities.

	CONFIGURATIONS	EQUIPMENT MODEL
INJECTION UNIT	1. 10-Stage Injection Speed and 10-Stage Injection Pressure Control	●
	2. Numerically Controlled Back Pressure	●
	3. Nozzle Guard	●
	4. Centralized Lubrication for Injection Unit (Electric Lubrication Standard on D175 and above)	●
	5. Fully Enclosed Rubber Barrel Protective Cover	●
	6. Digital Display of Screw Rotation Speed	●
	7. Injection Position Control by Linear Transducer	●
	8. Ceramic Heating Bands	●
	9. Nitrided Screw and Barrel	●
	10. Loading Platform	○
	11. Hopper	○
	12. Barrel with Additional Support	○
	13. Larger Primary Screw (C-Screw)	○
	14. Special Screw and Barrel (for PC/ABS/PVC)	○
	15. Bimetallic Screw and Barrel	○
	16. Extended Nozzle (50/100/150/200mm)	○
	17. Double Injection Unit Movement	○
	18. Synchronized Plasticizing	○
	19. Moving Hopper Platform (Hopper not included)	○
	20. Water Circulation Ring Cooling with Solenoid Control Valve	○
	21. e-Drive™	○
CLAMPING UNIT	1. Automatic Lubrication System	●
	2. Tie Bars made of High-Tensile Steel	●
	3. High-Rigidity Two-Platen Support Slide Shoe Mechanism	●
	4. High-Strength Nodular Iron Casting	●
	5. Electric Control for Front Safety Door	●
	6. Non-Contact Linear Transducer for Mold Open/Close Control	●
	7. Ejector Position Control by Linear Transducer	●
	8. T-Slots	●
	9. Mold Area Safety Pedal (Except 700/850 models)	●
	10. 2 Sets of Hydraulic Core Pullers (Moving Platen)	●
	11. 8 Sets of Mold Cooling Water Interfaces on Moving & Fixed Platens (Standard on D12)	●
	12. Multi-Stage Mold Closing Speed and Pressure Control	●
	13. Low-Pressure Mold Protection	●
	14. Hydraulic/Electrical Dual Safety Protection for Mold Closing Circuit	●
	15. Ejector/Core Pull Limit Switch Interface (EUI3 Standard)	●
	16. Air Blow (1/2/3/4 sets)	○
	17. Hydraulic Mother Module	○
	18. Magnetic Mold Plate	○
	19. SPI Mold Plate	○
	20. European Style Mold Plate	○
	21. Increased Ejector Stroke	○
	22. Increased Maximum Mold Open Distance (300/600/900mm)	○
	23. Increased Mold Capacity	○
	24. Wider Machine Door	○
	25. Robot Mounting Plate E18	○
	26. Retractable Tie Bar Design	○

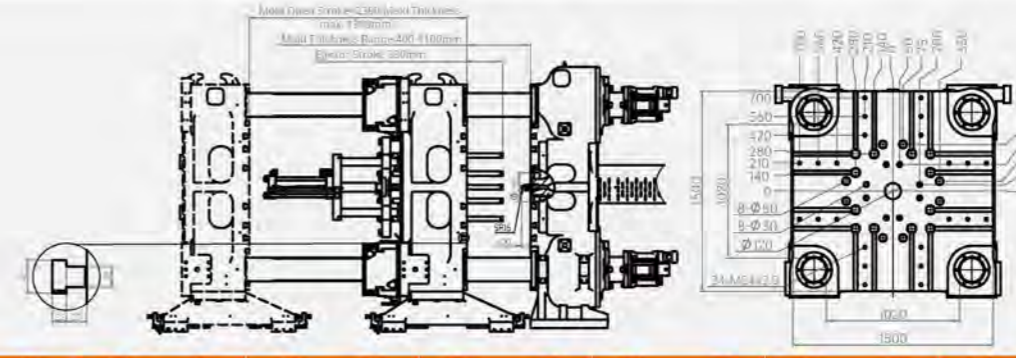
	CONFIGURATIONS	EQUIPMENT MODEL
HYDRAULICS UNIT	1. Internal Gear Servo Oil Pump	●
	2. Proportional Directional Valve Control for Mold Open/Close	●
	3. Synchronized Ejector/Core Pull Control Circuit	●
	4. Mold Clamping Force Sensor Detection and Display on Operation Panel	●
	5. Differential Rapid Mold Opening	●
	6. Stacked Combination Control for Oil Pumps	●
	7. Oil Level Indicator	●
	8. Oil Temperature Display	●
	9. Self-Sealing Suction Filter	●
	10. External Return Line Filter on Oil Tank	●
	11. Moving Platen Core Pullers (2 sets with Check Valves)	●
	12. Larger Primary Cooler	○
	13. Pressure Oil Pre-Heating	○
	14. Hydraulic Sequencing (4/8/12/16 groups)	○
	15. Moving Platen Core Pullers (3 sets / 4 sets)	○
	16. Fixed Platen Core Pullers (1/2/3/4 sets)	○
	17. Water Manifold with Flow Meters (8/16 groups)	○
	18. Closed-Loop Injection Control System	○
ELECTRICALS UNIT	1. 15-inch High-Precision Computer	●
	2. High-Response Servo Drive	●
	3. Temperature PID Control	●
	4. Three-Color Alarm Light	●
	5. Real-Time Action Monitoring	●
	6. I/O Signal Monitoring	●
	7. Online Monitoring of Program Running Status	●
	8. Thermocouple Break Detection	●
	9. Cold Start Protection Function	●
	10. Nozzle Blockage and Material Overflow Monitoring	●
	11. Automatic Purging Function	●
	12. Robot Signal Interface (Domestic Standard)	●
	13. Emergency Stop Switches for Front/Rear Safety Doors	●
	14. Moving Platen equipped with Core Puller Wiring CE13 (1 set)	●
	15. 2 Sets of Power Sockets (360V/3PH/32A)	●
	16. Oil Temperature Control	○
	17. Robot Interface Program E67/E12	○
	18. Additional Power Sockets (4/6/8 sets)	○
	19. Synchronized Core Puller/Ejector Program	○
	20. Additional Core Puller Wiring CE13 on Moving Platen	○
	21. Hot Runner (8/16/24/32/40/48 zones)	○



* The company keeps upgrading the products and reserves the right to change the product specifications and parameters without prior notice. The final interpretation to the above specifications and parameters belongs to the company.

SM700-TP-SVP/2

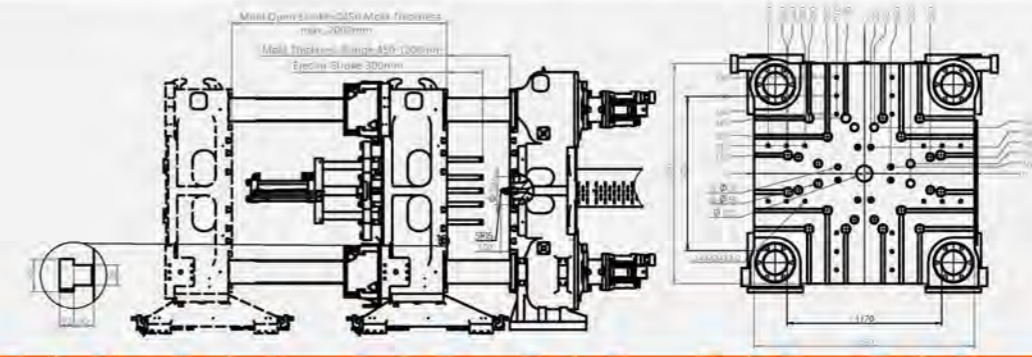
Clamping Force	ton	700
Clamping Opening Force	ton	70
Clamp Opening Stroke	mm	1200-1900
Distance Between Tie Bars (H x V)	mm	1020x1020
Mold Thickness (Min. - max.)	mm	400-1100
Max. Daylight	mm	2300
Mold Closing Speed (Max.)	m/min	45
Mold Opening Speed (Max.)	m/min	45
Ejector Force	ton	22
Ejector Stroke	mm	280
Mold Register Hole	mm	250



		J1	J2	K1	K2	N1	N2	P1	P2	Q1	Q2	A1	A2	R1	R2	B1	B2	C1	C2	D1	D2	E1	E2	F1	F2	G1	G2	H
Shot Weight (Hard Plastic)	g	1968	2314	2604	3087	3430	4322	4754	5658	6172	7244	7847	9101	9801	11251	13180	17939	21002	27431	31431	39780	44843	55362	61166	74011	81034	96437	106081
Injection Volume	cm ³	2163	2543	2861	3393	3770	4749	5224	6217	6782	7960	8623	10001	10770	12364	14483	19713	23079	30144	34540	43715	49278	60838	67216	81331	89048	105975	116573
Screw Diameter	mm	83	90	90	98	98	110	110	120	120	130	130	140	140	150	150	175	175	200	200	225	225	250	250	275	275	300	300
Injection Pressure (Maximum)	Mpa	187	159	184	155	184	146	184	155	184	157	180	155	180	157	180	132	160	123	160	126	160	130	160	132	160	134	160
Screw Stroke	mm	400		450		500		550		600		650		700		820		960		1100		1240		1370		1500	1650	
Maximum Screw Speed	rpm	150		140		130		115		110		100		95		95	80	83	69	65	50	60	50	60	47	50	40	40
Injection Rate	cm ³ /s	560	658	635	753	720	907	885	1053	1045	1226	1215	1409	1390	1596	1390	1892	1790	2339	2210	2797	2720	3358	3120	3775	4310	5129	4965
Screw Length/diameter Ratio		22.0	20.3	22.0	20.2	22.0	19.6	22.0	20.2	22.0	20.3	22.0	20.4	22.0	20.5	22.0	18.9	22.0	19.3	22.0	19.6	22.0	19.8	22.0	20.0	22.0	20.2	22.0
Nozzle Force	ton														13.2													
System Pressure	kgf/cm ²														175													
Servo Pump Motor Power	kW	87		103		110		138		152		176		204		204		234		293		352		469		645	720	
Heating Capacity	kW	38		43		48		61		71		78		96		104		130		175		218		270		330	390	
Temperature Control Zones															7													
Oil Tank Capacity	L	990		1000		1010		1710		1900		1920		2310		2360		3280		4260		4990		8650		11000	12500	
Machine Dimensions (Length x Width x Height)	m	9.2x2.9x2.5		9.3x2.9x2.5		9.4x2.9x2.5		10.2x2.9x2.5		10.9x2.9x2.5		11.0x2.9x2.5		11.3x2.9x2.5		11.3x2.9x2.5		12.4x2.9x2.5		13.2x2.9x2.5		14.8x2.9x2.5		16.2x2.9x2.5		18.6x2.9x2.5	20.6x2.9x2.5	
Machine Weight (Approximate)	ton	28		29		31		33		35		37		38		39		46		54		64		77		94	114	

SM850-TP-SVP/2

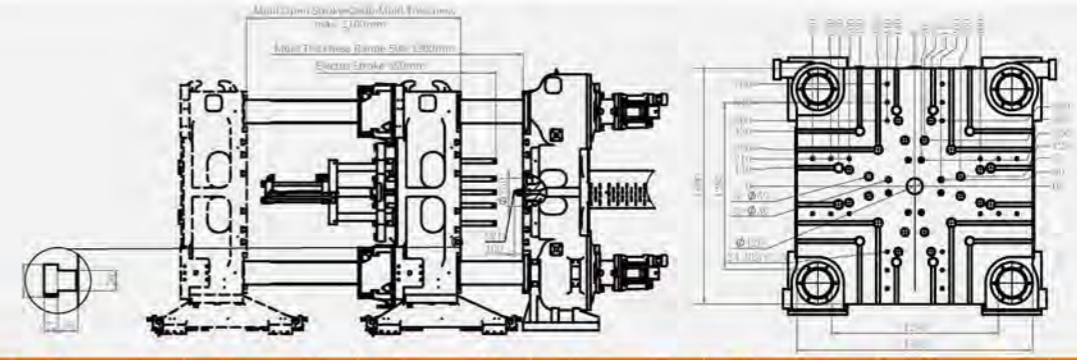
Clamping Force	ton	850
Clamping Opening Force	ton	85
Clamp Opening Stroke	mm	1250-2000
Distance Between Tie Bars (H x V)	mm	1170x1170
Mold Thickness (Min. - max.)	mm	450-1200
Max. Daylight	mm	2450
Mold Closing Speed (Max.)	m/min	45
Mold Opening Speed (Max.)	m/min	45
Ejector Force	ton	22
Ejector Stroke	mm	300
Mold Register Hole	mm	250



		J1	J2	K1	K2	N1	N2	P1	P2	Q1	Q2	A1	A2	R1	R2	B1	B2	C1	C2	D1	D2	E1	E2	F1	F2	G1	G2	H
Shot Weight (Hard Plastic)	g	1968	2314	2604	3087	3430	4322	4754	5658	6172	7244	7847	9101	9801	11251	13180	17939	21002	27431	31431	39780	44843	55362	61166	74011	81034	96437	106081
Injection Volume	cm ³	2163	2543	2861	3393	3770	4749	5224	6217	6782	7960	8623	10001	10770	12364	14483	19713	23079	30144	34540	43715	49278	60838	67216	81331	89048	105975	116573
Screw Diameter	mm	83	90	90	98	98	110	110	120	120	130	130	140	140	150	150	175	175	200	200	225	225	250	250	275	275	300	300
Injection Pressure (Maximum)	Mpa	187	159	184	155	184	146	184	155	184	157	180	155	180	157	180	132	160	123	160	126	160	130	160	132	160	134	160
Screw Stroke	mm	400		450		500		550		600		650		700		820		960		1100		1240		1370		1500	1650	
Maximum Screw Speed	rpm	150		140		130		115		110		100		95		95	80	83	69	65	50	60	50	60	47	50	40	40
Injection Rate	cm ³ /s	560	658	635	753	720	907	885	1053	1045	1226	1215	1409	1390	1596	1390	1892	1790	2339	2210	2797	2720	3358	3120	3775	4310	5129	4965
Screw Length/diameter Ratio		22.0	20.3	22.0	20.2	22.0	19.6	22.0	20.2	22.0	20.3	22.0	20.4	22.0	20.5	22.0	18.9	22.0	19.3	22.0	19.6	22.0	19.8	22.0	20.0	22.0	20.2	22.0
Nozzle Force	ton														13.2													
System Pressure	kgf/cm ²														175													
Servo Pump Motor Power	kW	87		103		110		138		152		176		204		204		234		293		352		469		645	720	
Heating Capacity	kW	38		43		48		61		71		78		96		104		130		175		218		270		330	390	
Temperature Control Zones															7													
Oil Tank Capacity	L	1010		1020		1030		1720		1920		1940		2330		2380		3300		4280		5000		8700		11000	12500	
Machine Dimensions (Length x Width x Height)	m	9.6x3.1x2.7		9.7x3.1x2.7		9.8x3.1x2.7		10.6x3.1x2.7		11.2x3.1x2.7		11.3x3.1x2.7		11.7x3.1x2.7		11.7x3.1x2.7		12.7x3.1x2.7		13.6x3.1x2.7		15.1x3.1x2.7		16.5x3.1x2.7		19.0x3.1x2.7	21.0x3.1x2.7	
Machine Weight (Approximate)	ton	33		34		36		38		40		42		43		44		51		59		69		82		99	119	

SM1050-TP-SVP/2

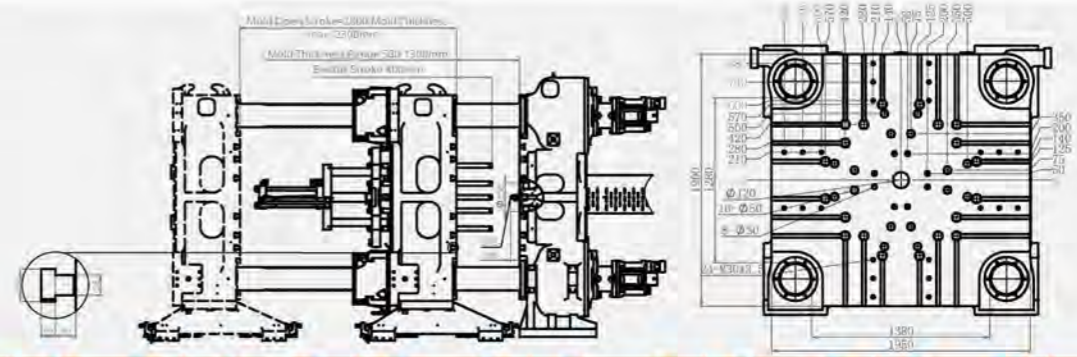
Clamping Force	ton	1050
Clamping Opening Force	ton	85
Clamp Opening Stroke	mm	1300-2100
Distance Between Tie Bars (H x V)	mm	1280x1280
Mold Thickness (Min.-max.)	mm	500-1300
Max. Daylight	mm	2600
Mold Closing Speed (Max.)	m/min	45
Mold Opening Speed (Max.)	m/min	45
Ejector Force	ton	22
Ejector Stroke	mm	350
Mold Register Hole	mm	250



		J1	J2	K1	K2	N1	N2	P1	P2	Q1	Q2	A1	A2	R1	R2	B1	B2	C1	C2	D1	D2	E1	E2	F1	F2	G1	G2	H
Shot Weight (Hard Plastic)	g	1968	2314	2604	3087	3430	4322	4754	5658	6172	7244	7847	9101	9801	11251	13180	17939	21002	27431	31431	39780	44843	55362	61166	74011	81034	96437	106081
Injection Volume	cm ³	2163	2543	2861	3393	3770	4749	5224	6217	6782	7960	8623	10001	10770	12364	14483	19713	23079	30144	34540	43715	49278	60838	67216	81331	89048	105975	116573
Screw Diameter	mm	83	90	90	98	98	110	110	120	120	130	130	140	140	150	150	175	175	200	200	225	225	250	250	275	275	300	300
Injection Pressure (Maximum)	Mpa	187	159	184	155	184	146	184	155	184	157	180	155	180	157	180	132	160	123	160	126	160	130	160	132	160	134	160
Screw Stroke	mm		400		450		500		550		600		650		700		820		960		1100		1240		1370		1500	1650
Maximum Screw Speed	rpm		150		140		130		115		110		100		95		95	80	83	69	65	50	60	50	60	47	50	40
Injection Rate	cm ³ /s	560	658	635	753	720	907	885	1053	1045	1226	1215	1409	1390	1596	1390	1892	1790	2339	2210	2797	2720	3358	3120	3775	4310	5129	4965
Screw Length/diameter Ratio		22.0	20.3	22.0	20.2	22.0	19.6	22.0	20.2	22.0	20.3	22.0	20.4	22.0	20.5	22.0	18.9	22.0	19.3	22.0	19.6	22.0	19.8	22.0	20.0	22.0	20.2	22.0
Nozzle Force	ton																13.2											
System Pressure	kgf/cm ²																175											
Servo Pump Motor Power	kW		87		103		110		138		152		176		204		204		234		293		352		469		645	720
Heating Capacity	kW		38		43		48		61		71		78		96		104		130		175		218		270		330	390
Temperature Control Zones																	7											
Oil Tank Capacity	L		1030		1030		1040		1740		1930		1950		2350		2390		3310		4290		5020		8700		11000	12500
Machine Dimensions (Length x Width x Height)	m		99x3.3x2.8		10.0x3.3x2.8		10.1x3.3x2.8		10.8x3.3x2.8		11.5x3.3x2.8		11.6x3.3x2.8		12.0x3.3x2.8		12.0x3.3x2.8		13.0x3.3x2.8		13.9x3.3x2.8		15.4x3.3x2.8		16.8x3.3x2.8		19.3x3.3x2.8	21.3x3.3x2.8
Machine Weight (Approximate)	ton		39		40		42		44		46		48		49		50		57		65		75		88		105	125

SM1250-TP-SVP/2

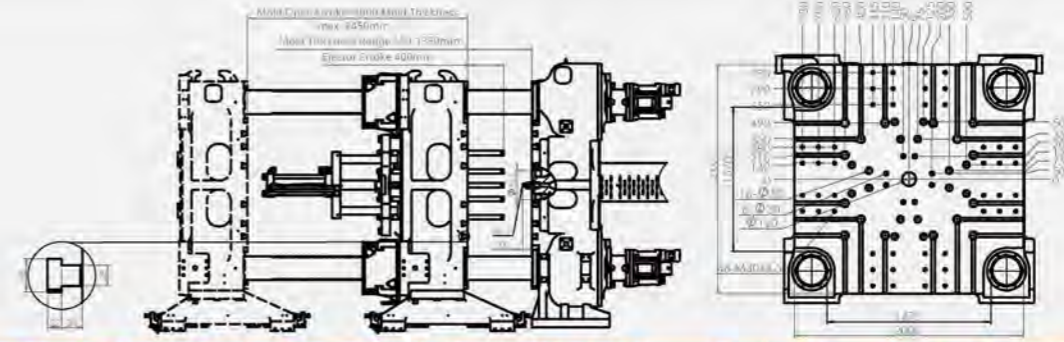
Clamping Force	ton	1250
Clamping Opening Force	ton	125
Clamp Opening Stroke	mm	1500-2300
Distance Between Tie Bars (H x V)	mm	1380x1280
Mold Thickness (Min. - max.)	mm	500-1300
Max. Daylight	mm	2800
Mold Closing Speed (Max.)	m/min	45
Mold Opening Speed (Max.)	m/min	45
Ejector Force	ton	22
Ejector Stroke	mm	400
Mold Register Hole	mm	250



		J1	J2	K1	K2	N1	N2	P1	P2	Q1	Q2	A1	A2	R1	R2	B1	B2	C1	C2	D1	D2	E1	E2	F1	F2	G1	G2	H
Shot Weight (Hard Plastic)	g	1968	2314	2604	3087	3430	4322	4754	5658	6172	7244	7847	9101	9801	11251	13180	17939	21002	27431	31431	39780	44843	55362	61166	74011	81034	96437	106081
Injection Volume	cm ³	2163	2543	2861	3393	3770	4749	5224	6217	6782	7960	8623	10001	10770	12364	14483	19713	23079	30144	34540	43715	49278	60838	67216	81331	89048	105975	116573
Screw Diameter	mm	83	90	90	98	98	110	110	120	120	130	130	140	140	150	150	175	175	200	200	225	225	250	250	275	275	300	300
Injection Pressure (Maximum)	Mpa	187	159	184	155	184	146	184	155	184	157	180	155	180	157	180	132	160	123	160	126	160	130	160	132	160	134	160
Screw Stroke	mm		400		450		500		550		600		650		700		820		960		1100		1240		1370		1500	1650
Maximum Screw Speed	rpm		150		140		130		115		110		100		95		95	80	83	69	65	50	60	50	60	47	50	40
Injection Rate	cm ³ /s	560	658	635	753	720	907	885	1053	1045	1226	1215	1409	1390	1596	1390	1892	1790	2339	2210	2797	2720	3358	3120	3775	4310	5129	4965
Screw Length/diameter Ratio		22.0	20.3	22.0	20.2	22.0	19.6	22.0	20.2	22.0	20.3	22.0	20.4	22.0	20.5	22.0	18.9	22.0	19.3	22.0	19.6	22.0	19.8	22.0	20.0	22.0	20.2	22.0
Nozzle Force	ton																13.2											
System Pressure	kgf/cm ²																175											
Servo Pump Motor Power	kW		87		103		110		138		152		176		204		204		234		293		352		469		645	720
Heating Capacity	kW		38		43		48		61		71		78		96		104		130		175		218		270		330	390
Temperature Control Zones																	7											
Oil Tank Capacity	L		1050		1050		1070		1760		1950		1970		2370		2410		3330		4310		5040		8700		11000	12500
Machine Dimensions (Length x Width x Height)	m		10.2x3.5x3		10.3x3.5x3		10.4x3.5x3		11.2x3.5x3		11.8x3.5x3		11.9x3.5x3		12.3x3.5x3		12.3x3.5x3		13.3x3.5x3		14.2x3.5x3		15.8x3.5x3		17.1x3.5x3		19.6x3.5x3	21.6x3.5x3
Machine Weight (Approximate)	ton		49		50		52		54		56		58		59		60		67		75		85		98		115	135

SM1450-TP-SVP/2

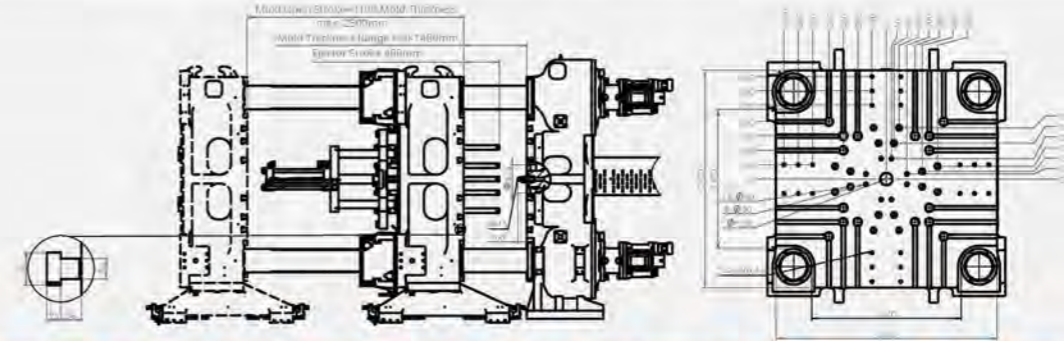
Clamping Force	ton	1450
Clamping Opening Force	ton	125
Clamp Opening Stroke	mm	1650-2450
Distance Between Tie Bars (H × V)	mm	1470x1370
Mold Thickness (Min. - max.)	mm	550-1350
Max. Daylight	mm	3000
Mold Closing Speed (Max.)	m/min	45
Mold Opening Speed (Max.)	m/min	45
Ejector Force	ton	35
Ejector Stroke	mm	400
Mold Register Hole	mm	250



		J1	J2	K1	K2	N1	N2	P1	P2	Q1	Q2	A1	A2	R1	R2	B1	B2	C1	C2	D1	D2	E1	E2	F1	F2	G1	G2	H
Shot Weight (Hard Plastic)	g	1968	2314	2604	3087	3430	4322	4754	5658	6172	7244	7847	9101	9801	11251	13180	17939	21002	27431	31431	39780	44843	55362	61166	74011	81034	96437	106081
Injection Volume	cm ³	2163	2543	2861	3393	3770	4749	5224	6217	6782	7960	8623	10001	10770	12364	14483	19713	23079	30144	34540	43715	49278	60838	67216	81331	89048	105975	116573
Screw Diameter	mm	83	90	90	98	98	110	110	120	120	130	130	140	140	150	150	175	175	200	200	225	225	250	250	275	275	300	300
Injection Pressure (Maximum)	Mpa	187	159	184	155	184	146	184	155	184	157	180	155	180	157	180	132	160	123	160	126	160	130	160	132	160	134	160
Screw Stroke	mm	400	450	500	550	600	650	700	820	960	1100	1240	1370	1500	1650													
Maximum Screw Speed	rpm	150	140	130	115	110	100	95	80	83	69	65	50	60	50	60	47	50	40	40								
Injection Rate	cm ³ /s	560	658	635	753	720	907	885	1053	1045	1226	1215	1409	1390	1596	1390	1892	1790	2339	2210	2797	2720	3358	3120	3775	4310	5129	4965
Screw Length/diameter Ratio		22.0	20.3	22.0	20.2	22.0	19.6	22.0	20.2	22.0	20.3	22.0	20.4	22.0	20.5	22.0	18.9	22.0	19.3	22.0	19.6	22.0	19.8	22.0	20.0	22.0	20.2	22.0
Nozzle Force	ton														13.2													
System Pressure	kgf/cm ²														175													
Servo Pump Motor Power	kW	87	103	110	138	152	176	204	204	234	293	352	469	645	720													
Heating Capacity	kW	38	43	48	61	71	78	96	104	130	175	218	270	330	390													
Temperature Control Zones															7													
Oil Tank Capacity	L	1070	1070	1080	1780	1970	1990	2390	2430	3350	4330	5060	8700	11000	12500													
Machine Dimensions (Length × Width × Height)	m	10.6x3.75x3.15	10.7x3.75x3.15	10.8x3.75x3.15	11.6x3.75x3.15	12.2x3.75x3.15	12.3x3.75x3.15	12.7x3.75x3.15	12.7x3.75x3.15	13.7x3.75x3.15	14.6x3.75x3.15	16.1x3.75x3.15	17.5x3.75x3.15	20.0x3.75x3.15	22.0x3.75x3.15													
Machine Weight (Approximate)	ton	54	55	57	59	61	63	64	65	72	80	90	103	120	140													

SM1650-TP-SVP/2

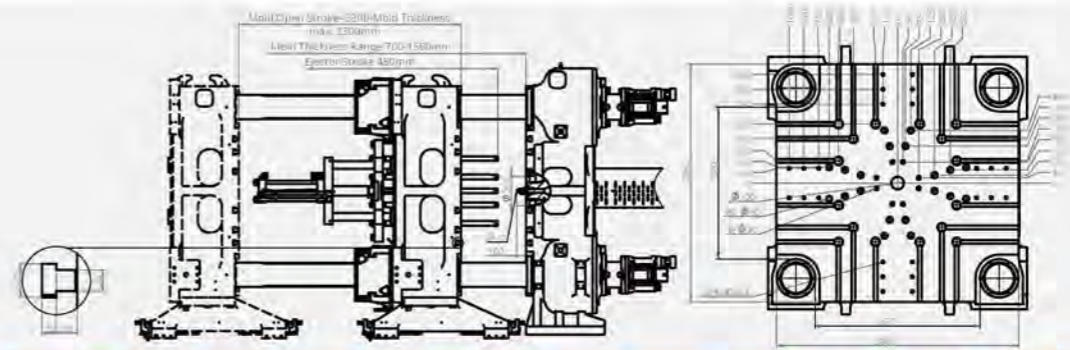
Clamping Force	ton	1650
Clamping Opening Force	ton	165
Clamp Opening Stroke	mm	1700-2500
Distance Between Tie Bars (H × V)	mm	1570x1470
Mold Thickness (Min.-max.)	mm	600-1400
Max. Daylight	mm	3100
Mold Closing Speed (Max.)	m/min	45
Mold Opening Speed (Max.)	m/min	45
Ejector Force	ton	35
Ejector Stroke	mm	400
Mold Register Hole	mm	315



		J1	J2	K1	K2	N1	N2	P1	P2	Q1	Q2	A1	A2	R1	R2	B1	B2	C1	C2	D1	D2	E1	E2	F1	F2	G1	G2	H
Shot Weight (Hard Plastic)	g	1968	2314	2604	3087	3430	4322	4754	5658	6172	7244	7847	9101	9801	11251	13180	17939	21002	27431	31431	39780	44843	55362	61166	74011	81034	96437	106081
Injection Volume	cm ³	2163	2543	2861	3393	3770	4749	5224	6217	6782	7960	8623	10001	10770	12364	14483	19713	23079	30144	34540	43715	49278	60838	67216	81331	89048	105975	116573
Screw Diameter	mm	83	90	90	98	98	110	110	120	120	130	130	140	140	150	150	175	175	200	200	225	225	250	250	275	275	300	300
Injection Pressure (Maximum)	Mpa	187	159	184	155	184	146	184	155	184	157	180	155	180	157	180	132	160	123	160	126	160	130	160	132	160	134	160
Screw Stroke	mm	400	450	500	550	600	650	700	820	960	1100	1240	1370	1500	1650													
Maximum Screw Speed	rpm	150	140	130	115	110	100	95	80	83	69	65	50	60	50	60	47	50	40	40								
Injection Rate	cm ³ /s	560	658	635	753	720	907	885	1053	1045	1226	1215	1409	1390	1596	1390	1892	1790	2339	2210	2797	2720	3358	3120	3775	4310	5129	4965
Screw Length/diameter Ratio		22.0	20.3	22.0	20.2	22.0	19.6	22.0	20.2	22.0	20.3	22.0	20.4	22.0	20.5	22.0	18.9	22.0	19.3	22.0	19.6	22.0	19.8	22.0	20.0	22.0	20.2	22.0
Nozzle Force	ton														13.2													
System Pressure	kgf/cm ²														175													
Servo Pump Motor Power	kW	87	103	110	138	152	176	204	204	234	293	352	469	645	720													
Heating Capacity	kW	38	43	48	61	71	78	96	104	130	175	218	270	330	390													
Temperature Control Zones															7													
Oil Tank Capacity	L	1090	1090	1100	1800	1990	2010	2410	2450	3370	4350	5080	8750	11050	12550													
Machine Dimensions (Length × Width × Height)	m	10.6x3.8x3.3	10.7x3.8x3.3	10.8x3.8x3.3	11.6x3.8x3.3	12.2x3.8x3.3	12.3x3.8x3.3	12.7x3.8x3.3	12.7x3.8x3.3	13.7x3.8x3.3	14.6x3.8x3.3	16.1x3.8x3.3	17.5x3.8x3.3	20.0x3.8x3.3	22.0x3.8x3.3													
Machine Weight (Approximate)	ton	59	60	62	64	66	68	69	70	77	85	95	108	125	145													

SM1900-TP-SVP/2

Clamping Force	ton	1900
Clamping Opening Force	ton	165
Clamp Opening Stroke	mm	1700-2500
Distance Between Tie Bars (H x V)	mm	1670x1550
Mold Thickness (Min. - max.)	mm	700-1500
Max. Daylight	mm	3200
Mold Closing Speed (Max.)	m/min	45
Mold Opening Speed (Max.)	m/min	45
Ejector Force	ton	45
Ejector Stroke	mm	450
Mold Register Hole	mm	315



Clamping Unit

Injection Unit

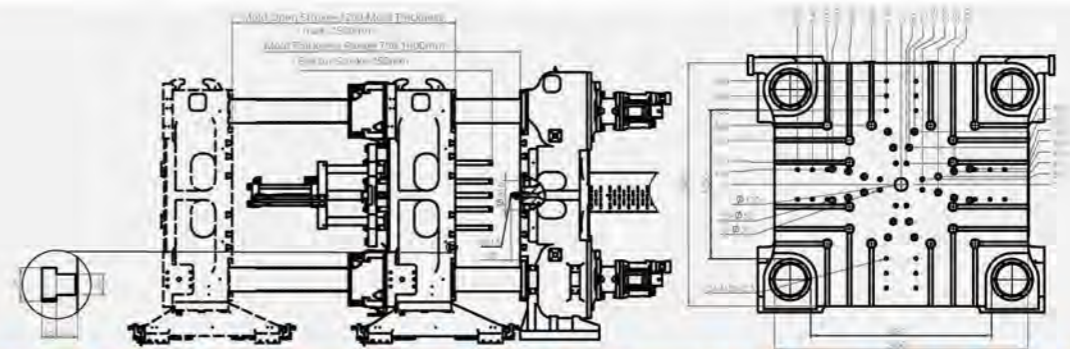
Electrical/
Heating System

Other

		J1	J2	K1	K2	N1	N2	P1	P2	Q1	Q2	A1	A2	R1	R2	B1	B2	C1	C2	D1	D2	E1	E2	F1	F2	G1	G2	H
Shot Weight (Hard Plastic)	g	1968	2314	2604	3087	3430	4322	4754	5658	6172	7244	7847	9101	9801	11251	13180	17939	21002	27431	31431	39780	44843	55362	61166	74011	81034	96437	106081
Injection Volume	cm ³	2163	2543	2861	3393	3770	4749	5224	6217	6782	7960	8623	10001	10770	12364	14483	19713	23079	30144	34540	43715	49278	60838	67216	81331	89048	105975	116573
Screw Diameter	mm	83	90	90	98	98	110	110	120	120	130	130	140	140	150	150	175	175	200	200	225	225	250	250	275	275	300	300
Injection Pressure (Maximum)	Mpa	187	159	184	155	184	146	184	155	184	157	180	155	180	157	180	132	160	123	160	126	160	130	160	132	160	134	160
Screw Stroke	mm		400		450		500		550		600		650		700		820		960		1100		1240		1370		1500	1650
Maximum Screw Speed	rpm		150		140		130		115		110		100		95		95		80		83		69		65		50	40
Injection Rate	cm ³ /s	560	658	635	753	720	907	885	1053	1045	1226	1215	1409	1390	1596	1390	1892	1790	2339	2210	2797	2720	3358	3120	3775	4310	5129	4965
Screw Length/diameter Ratio		22.0	20.3	22.0	20.2	22.0	19.6	22.0	20.2	22.0	20.3	22.0	20.4	22.0	20.5	22.0	18.9	22.0	19.3	22.0	19.6	22.0	19.8	22.0	20.0	22.0	20.2	22.0
Nozzle Force	ton																	13.2										
System Pressure	kgf/cm ²																	175										
Servo Pump Motor Power	kW		87		103		110		138		152		176		204		204		234		293		352		469		645	720
Heating Capacity	kW		38		43		48		61		71		78		96		104		130		175		218		270		330	390
Temperature Control Zones																		7										
Oil Tank Capacity	L		1120		1130		1140		1830		2020		2040		2440		2490		3410		4380		5110		8800		11100	12600
Machine Dimensions (Length x Width x Height)	m		10.8x4.2x3.5		10.9x4.2x3.5		11.0x4.2x3.5		11.8x4.2x3.5		12.4x4.2x3.5		12.5x4.2x3.5		12.9x4.2x3.5		12.9x4.2x3.5		14.0x4.2x3.5		14.8x4.2x3.5		16.4x4.2x3.5		17.7x4.2x3.5		20.2x4.2x3.5	22.2x4.2x3.5
Machine Weight (Approximate)	ton		69		70		72		74		76		78		79		80		87		95		105		118		135	155

SM2200-TP-SVP/2

Clamping Force	ton	2200
Clamping Opening Force	ton	210
Clamp Opening Stroke	mm	1600-2500
Distance Between Tie Bars (H x V)	mm	1820x1520
Mold Thickness (Min. - max.)	mm	700-1600
Max. Daylight	mm	3200
Mold Closing Speed (Max.)	m/min	45
Mold Opening Speed (Max.)	m/min	45
Ejector Force	ton	45
Ejector Stroke	mm	450
Mold Register Hole	mm	315



Clamping Unit

Injection Unit

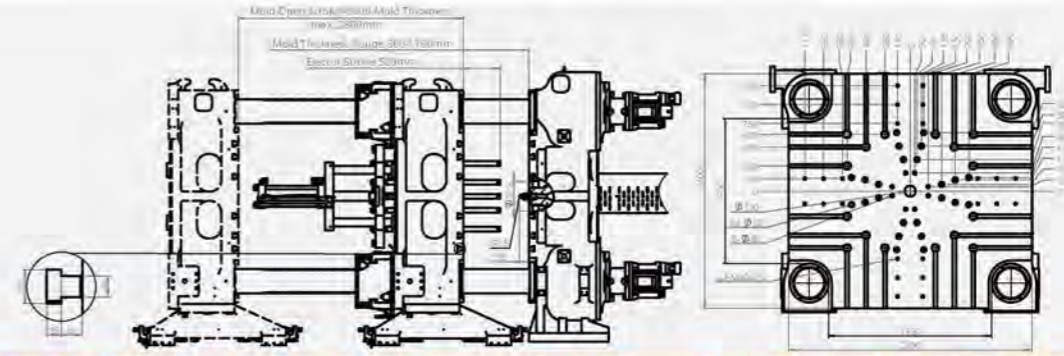
Electrical/
Heating System

Other

		J1	J2	K1	K2	N1	N2	P1	P2	Q1	Q2	A1	A2	R1	R2	B1	B2	C1	C2	D1	D2	E1	E2	F1	F2	G1	G2	H
Shot Weight (Hard Plastic)	g	1968	2314	2604	3087	3430	4322	4754	5658	6172	7244	7847	9101	9801	11251	13180	17939	21002	27431	31431	39780	44843	55362	61166	74011	81034	96437	106081
Injection Volume	cm ³	2163	2543	2861	3393	3770	4749	5224	6217	6782	7960	8623	10001	10770	12364	14483	19713	23079	30144	34540	43715	49278	60838	67216	81331	89048	105975	116573
Screw Diameter	mm	83	90	90	98	98	110	110	120	120	130	130	140	140	150	150	175	175	200	200	225	225	250	250	275	275	300	300
Injection Pressure (Maximum)	Mpa	187	159	184	155	184	146	184	155	184	157	180	155	180	157	180	132	160	123	160	126	160	130	160	132	160	134	160
Screw Stroke	mm		400		450		500		550		600		650		700		820		960		1100		1240		1370		1500	1650
Maximum Screw Speed	rpm		150		140		130		115		110		100		95		95		80		83		69		65		50	40
Injection Rate	cm ³ /s	560	658	635	753	720	907	885	1053	1045	1226	1215	1409	1390	1596	1390	1892	1790	2339	2210	2797	2720	3358	3120	3775	4310	5129	4965
Screw Length/diameter Ratio		22.0	20.3	22.0	20.2	22.0	19.6	22.0	20.2	22.0	20.3	22.0	20.4	22.0	20.5	22.0	18.9	22.0	19.3	22.0	19.6	22.0	19.8	22.0	20.0	22.0	20.2	22.0
Nozzle Force	ton																	13.2										
System Pressure	kgf/cm ²																	175										
Servo Pump Motor Power	kW		87		103		110		138		152		176		204		204		234		293		352		469		645	720
Heating Capacity	kW		38		43		48		61		71		78		96		104		130		175		218		270		330	390
Temperature Control Zones																		7										
Oil Tank Capacity	L		1130		1140		1150		1840		2040		2060		2450		2500		3420		4400		5120		8800		11100	12600
Machine Dimensions (Length x Width x Height)	m		10.8x4.2x3.5		10.9x4.2x3.5		11.0x4.2x3.5		11.8x4.2x3.5		12.4x4.2x3.5		12.5x4.2x3.5		12.9x4.2x3.5		12.9x4.2x3.5		14.0x4.2x3.5		14.8x4.2x3.5		16.4x4.2x3.5		17.7x4.2x3.5		20.2x4.2x3.5	22.2x4.2x3.5
Machine Weight (Approximate)	ton		74		75		77		79		81		83		84		85		92		100		110		123		140	160

SM2600-TP-SVP/2

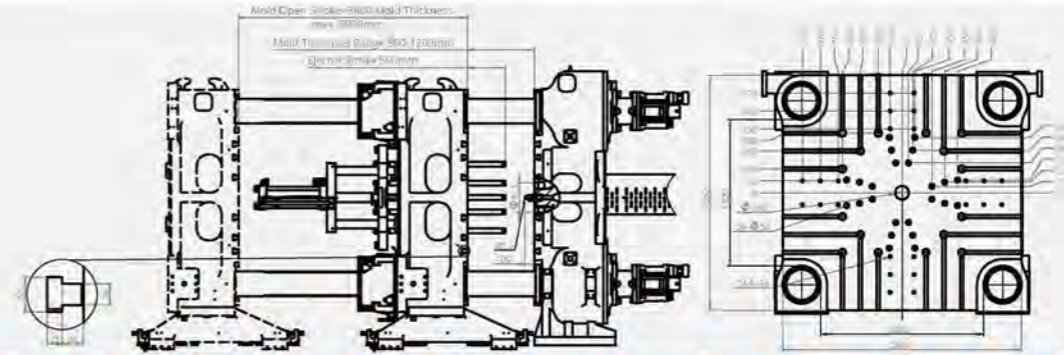
Clamping Force	ton	2600
Clamping Opening Force	ton	210
Clamp Opening Stroke	mm	1900-2800
Distance Between Tie Bars (H × V)	mm	1930x1730
Mold Thickness (Min. - max.)	mm	800-1700
Max. Daylight	mm	3600
Mold Closing Speed (Max.)	m/min	45
Mold Opening Speed (Max.)	m/min	45
Ejector Force	ton	45
Ejector Stroke	mm	500
Mold Register Hole	mm	315



		J1	J2	K1	K2	N1	N2	P1	P2	Q1	Q2	A1	A2	R1	R2	B1	B2	C1	C2	D1	D2	E1	E2	F1	F2	G1	G2	H
Shot Weight (Hard Plastic)	g	1968	2314	2604	3087	3430	4322	4754	5658	6172	7244	7847	9101	9801	11251	13180	17939	21002	27431	31431	39780	44843	55362	61166	74011	81034	96437	106081
Injection Volume	cm ³	2163	2543	2861	3393	3770	4749	5224	6217	6782	7960	8623	10001	10770	12364	14483	19713	23079	30144	34540	43715	49278	60838	67216	81331	89048	105975	116573
Screw Diameter	mm	83	90	90	98	98	110	110	120	120	130	130	140	140	150	150	175	175	200	200	225	225	250	250	275	275	300	300
Injection Pressure (Maximum)	Mpa	187	159	184	155	184	146	184	155	184	157	180	155	180	157	180	132	160	123	160	126	160	130	160	132	160	134	160
Screw Stroke	mm	400	450	450	500	500	550	550	600	600	650	650	700	700	700	820	820	960	960	1100	1100	1240	1240	1370	1370	1500	1500	1650
Maximum Screw Speed	rpm	150	140	140	130	130	115	115	110	110	100	100	95	95	80	95	80	83	69	65	50	60	50	60	47	50	40	40
Injection Rate	cm ³ /s	560	658	635	753	720	907	885	1053	1045	1226	1215	1409	1390	1596	1390	1892	1790	2339	2210	2797	2720	3358	3120	3775	4310	5129	4965
Screw Length/diameter Ratio		22.0	20.3	22.0	20.2	22.0	19.6	22.0	20.2	22.0	20.3	22.0	20.4	22.0	20.5	22.0	18.9	22.0	19.3	22.0	19.6	22.0	19.8	22.0	20.0	22.0	20.2	22.0
Nozzle Force	ton													13.2														
System Pressure	kgf/cm ²													175														
Servo Pump Motor Power	kW	87	103	103	110	110	138	138	152	152	176	176	204	204	204	204	204	234	234	293	293	352	352	469	469	645	720	
Heating Capacity	KW	38	43	43	48	48	61	61	71	71	78	78	96	96	104	104	104	130	130	175	175	218	218	270	270	330	390	
Temperature Control Zones														7														
Oil Tank Capacity	L	1190	1200	1200	1210	1210	1900	1900	2090	2090	2110	2110	2510	2510	2510	2550	2550	3470	3470	4450	4450	5180	5180	8850	8850	11150	12650	
Machine Dimensions (Length × Width × Height)	m	11.5x4.4x3.7	11.6x4.4x3.7	11.6x4.4x3.7	11.7x4.4x3.7	11.7x4.4x3.7	12.5x4.4x3.7	12.5x4.4x3.7	13.1x4.4x3.7	13.1x4.4x3.7	13.2x4.4x3.7	13.2x4.4x3.7	13.6x4.4x3.7	13.6x4.4x3.7	13.6x4.4x3.7	13.6x4.4x3.7	13.6x4.4x3.7	14.6x4.4x3.7	14.6x4.4x3.7	15.5x4.4x3.7	15.5x4.4x3.7	17.0x4.4x3.7	17.0x4.4x3.7	18.4x4.4x3.7	18.4x4.4x3.7	20.8x4.4x3.7	20.9x4.4x3.7	20.9x4.4x3.7
Machine Weight (Approximate)	ton	94	95	95	97	97	99	99	101	101	103	103	104	104	104	105	105	112	112	120	120	130	130	143	143	160	180	180

SM3000-TP-SVP/2

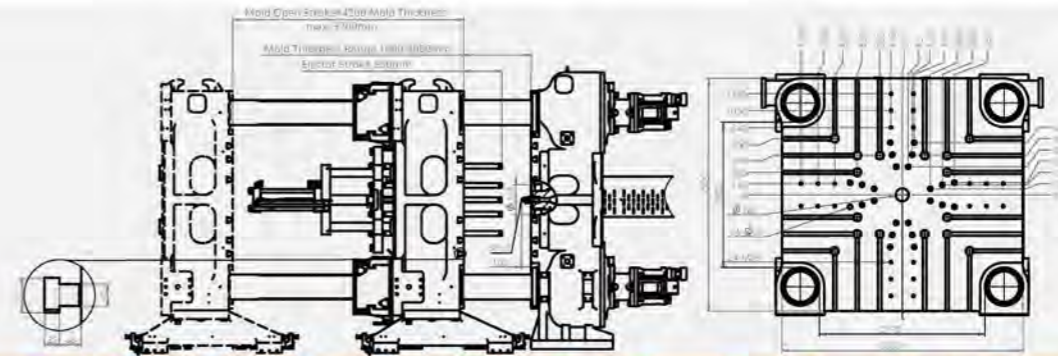
Clamping Force	ton	3000
Clamping Opening Force	ton	300
Clamp Opening Stroke	mm	2100-3000
Distance Between Tie Bars (H × V)	mm	2020x1820
Mold Thickness (Min. - max.)	mm	900-1800
Max. Daylight	mm	3900
Mold Closing Speed (Max.)	m/min	45
Mold Opening Speed (Max.)	m/min	45
Ejector Force	ton	45
Ejector Stroke	mm	500
Mold Register Hole	mm	315



		J1	J2	K1	K2	N1	N2	P1	P2	Q1	Q2	A1	A2	R1	R2	B1	B2	C1	C2	D1	D2	E1	E2	F1	F2	G1	G2	H
Shot Weight (Hard Plastic)	g	1968	2314	2604	3087	3430	4322	4754	5658	6172	7244	7847	9101	9801	11251	13180	17939	21002	27431	31431	39780	44843	55362	61166	74011	81034	96437	106081
Injection Volume	cm ³	2163	2543	2861	3393	3770	4749	5224	6217	6782	7960	8623	10001	10770	12364	14483	19713	23079	30144	34540	43715	49278	60838	67216	81331	89048	105975	116573
Screw Diameter	mm	83	90	90	98	98	110	110	120	120	130	130	140	140	150	150	175	175	200	200	225	225	250	250	275	275	300	300
Injection Pressure (Maximum)	Mpa	187	159	184	155	184	146	184	155	184	157	180	155	180	157	180	132	160	123	160	126	160	130	160	132	160	134	160
Screw Stroke	mm	400	450	450	500	500	550	550	600	600	650	650	700	700	700	820	820	960	960	1100	1100	1240	1240	1370	1370	1500	1500	1650
Maximum Screw Speed	rpm	150	140	140	130	130	115	115	110	110	100	100	95	95	80	95	80	83	69	65	50	60	50	60	47	50	40	40
Injection Rate	cm ³ /s	560	658	635	753	720	907	885	1053	1045	1226	1215	1409	1390	1596	1390	1892	1790	2339	2210	2797	2720	3358	3120	3775	4310	5129	4965
Screw Length/diameter Ratio		22.0	20.3	22.0	20.2	22.0	19.6	22.0	20.2	22.0	20.3	22.0	20.4	22.0	20.5	22.0	18.9	22.0	19.3	22.0	19.6	22.0	19.8	22.0	20.0	22.0	20.2	22.0
Nozzle Force	ton															13.2												
System Pressure	kgf/cm ²															175												
Servo Pump Motor Power	kW	87	103	103	110	110	138	138	152	152	176	176	204	204	204	204	204	234	234	293	293	352	352	469	469	645	720	
Heating Capacity	kW	38	43	43	48	48	61	61	71	71	78	78	96	96	104	104	104	130	130	175	175	218	218	270	270	330	390	
Temperature Control Zones																7												
Oil Tank Capacity	L	1230	1240	1240	1250	1250	1940	1940	2140	2140	2160	2160	2550	2550	2550	2600	2600	3520	3520	4500	4500	5220	5220	8900	8900	11200	12700	
Machine Dimensions (Length × Width × Height)	m	11.9x5.0x4	12.0x5.0x4	12.0x5.0x4	12.1x5.0x4	12.1x5.0x4	12.9x5.0x4	12.9x5.0x4	13.6x5.0x4	13.6x5.0x4	13.7x5.0x4	13.7x5.0x4	14.1x5.0x4	14.1x5.0x4	14.1x5.0x4	14.1x5.0x4	14.1x5.0x4	15.1x5.0x4	15.1x5.0x4	16.0x5.0x4	16.0x5.0x4	17.5x5.0x4	17.5x5.0x4	18.9x5.0x4	18.9x5.0x4	21.3x5.0x4	23.3x5.0x4	23.3x5.0x4
Machine Weight (Approximate)	ton	114	115	115	117	117	119	119	121	121	123	123	124	124	124	125	125	132	132	140	140	150	150	163	163	180	180	200

SM3600-TP-SVP/2

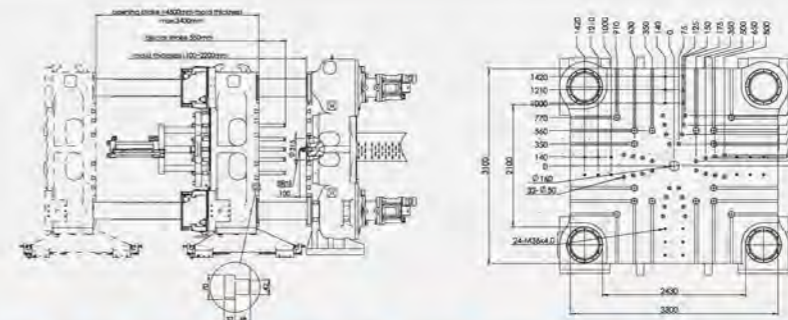
Clamping Force	ton	3600
Clamping Opening Force	ton	300
Clamp Opening Stroke	mm	2200-3200
Distance Between Tie Bars (H x V)	mm	2170x1920
Mold Thickness (Min. - max.)	mm	1000-2000
Max. Daylight	mm	4200
Mold Closing Speed (Max.)	m/min	45
Mold Opening Speed (Max.)	m/min	45
Ejector Force	ton	55
Ejector Stroke	mm	550
Mould Register Hole	mm	315



		J1	J2	K1	K2	N1	N2	P1	P2	Q1	Q2	A1	A2	R1	R2	B1	B2	C1	C2	D1	D2	E1	E2	F1	F2	G1	G2	H
Shot Weight (Hard Plastic)	g	1968	2314	2604	3087	3430	4322	4754	5658	6172	7244	7847	9101	9801	11251	13180	17939	21002	27431	31431	39780	44843	55362	61166	74011	81034	96437	106081
Injection Volume	cm ³	2163	2543	2861	3393	3770	4749	5224	6217	6782	7960	8623	10001	10770	12364	14483	19713	23079	30144	34540	43715	49278	60838	67216	81331	89048	105975	116573
Screw Diameter	mm	83	90	90	98	98	110	110	120	120	130	130	140	140	150	150	175	175	200	200	225	225	250	250	275	275	300	300
Injection Pressure (Maximum)	Mpa	187	159	184	155	184	146	184	155	184	157	180	155	180	157	180	132	160	123	160	126	160	130	160	132	160	134	160
Screw Stroke	mm		400		450		500		550		600		650		700		820		960		1100		1240		1370		1500	1650
Maximum Screw Speed	rpm		150		140		130		115		110		100		95		80		83		69		60		50		40	40
Injection Rate	cm ³ /s	560	658	635	753	720	907	885	1053	1045	1226	1215	1409	1390	1596	1390	1892	1790	2339	2210	2797	2720	3358	3120	3775	4310	5129	4965
Screw Length/diameter Ratio		22.0	20.3	22.0	20.2	22.0	19.6	22.0	20.2	22.0	20.3	22.0	20.4	22.0	20.5	22.0	18.9	22.0	19.3	22.0	19.6	22.0	19.8	22.0	20.0	22.0	20.2	22.0
Nozzle Force	ton																	13.2										
System Pressure	kgf/cm ²																	175										
Servo Pump Motor Power	kW		87		103		110		138		152		176		204		204		234		293		352		469		645	720
Heating Capacity	kW		38		43		48		61		71		78		96		104		130		175		218		270		330	390
Temperature Control Zones																		7										
Oil Tank Capacity	L		1290		1300		1310		2010		2200		2200		2610		2660		3580		4560		5290		8950		11250	12750
Machine Dimensions (Length x Width x Height)	m		12.4x5.3x4.2		12.5x5.3x4.2		12.6x5.3x4.2		13.5x5.3x4.2		14.0x5.3x4.2		14.2x5.3x4.2		14.5x5.3x4.2		14.5x5.3x4.2		15.6x5.3x4.2		16.5x5.3x4.2		18.0x5.3x4.2		19.4x5.3x4.2		21.8x5.3x4.2	23.8x5.3x4.2
Machine Weight (Approximate)	ton		139		140		142		144		146		148		149		150		157		165		175		188		205	225

SM4500-TP-SVP/2

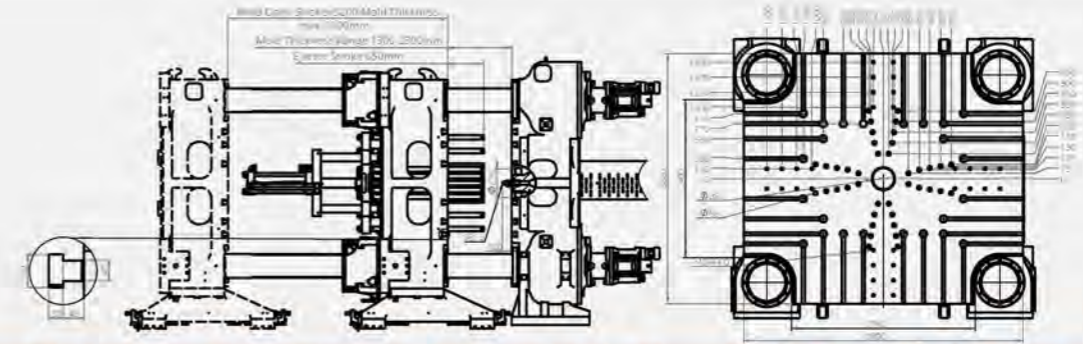
Clamping Force	ton	4500
Clamping Opening Force	ton	300
Clamp Opening Stroke	mm	2300-3400
Distance Between Tie Bars (H x V)	mm	2430x2100
Mold Thickness (Min. - max.)	mm	1100-2200
Max. Daylight	mm	4500
Mold Closing Speed (Max.)	m/min	40
Mold Opening Speed (Max.)	m/min	40
Ejector Force	ton	55
Ejector Stroke	mm	550
Mold Register Hole	mm	315



		J1	J2	K1	K2	N1	N2	P1	P2	Q1	Q2	A1	A2	R1	R2	B1	B2	C1	C2	D1	D2	E1	E2	F1	F2	G1	G2	H
Shot Weight (Hard Plastic)	g	1968	2314	2604	3087	3430	4322	4754	5658	6172	7244	7847	9101	9801	11251	13180	17939	21002	27431	31431	39780	44843	55362	61166	74011	81034	96437	106081
Injection Volume	cm ³	2163	2543	2861	3393	3770	4749	5224	6217	6782	7960	8623	10001	10770	12364	14483	19713	23079	30144	34540	43715	49278	60838	67216	81331	89048	105975	116573
Screw Diameter	mm	83	90	90	98	98	110	110	120	120	130	130	140	140	150	150	175	175	200	200	225	225	250	250	275	275	300	300
Injection Pressure (Maximum)	Mpa	187	159	184	155	184	146	184	155	184	157	180	155	180	157	180	132	160	123	160	126	160	130	160	132	160	134	160
Screw Stroke	mm		400		450		500		550		600		650		700		820		960		1100		1240		1370		1500	1650
Maximum Screw Speed	rpm		150		140		130		115		110		100		95		80		83		69		60		50		40	40
Injection Rate	cm ³ /s	560	658	635	753	720	907	885	1053	1045	1226	1215	1409	1390	1596	1390	1892	1790	2339	2210	2797	2720	3358	3120	3775	4310	5129	4965
Screw Length/diameter Ratio		22.0	20.3	22.0	20.2	22.0	19.6	22.0	20.2	22.0	20.3	22.0	20.4	22.0	20.5	22.0	18.9	22.0	19.3	22.0	19.6	22.0	19.8	22.0	20.0	22.0	20.2	22.0
Nozzle Force	ton																	13.2										
System Pressure	kgf/cm ²																	175										
Servo Pump Motor Power	kW		87		103		110		138		152		176		204		204		234		293		352		469		645	720
Heating Capacity	kW		38		43		48		61		71		78		96		104		130		175		218		270		330	390
Temperature Control Zones																		7										
Oil Tank Capacity	L		1430		1430		1450		2140		2330		2350		2750		2790		3710		4690		5420		9100		11400	12900
Machine Dimensions (Length x Width x Height)	m		13.0x5.9x4.4		13.1x5.9x4.4		13.2x5.9x4.4		14.0x5.9x4.4		14.6x5.9x4.4		14.7x5.9x4.4		15.1x5.9x4.4		15.1x5.9x4.4		16.1x5.9x4.4		17x5.9x4.4		18x5.9x4.4		20x5.9x4.4		22.4x5.9x4.4	24.4x5.9x4.4
Machine Weight (Approximate)	ton		174		175		177		179		181		183		184		185		192		200		210		223		240	260

SM6500-TP-SVP/2

Clamping Force	ton	6500
Clamping Opening Force	ton	400
Clamp Opening Stroke	mm	2700-3900
Distance Between Tie Bars (H × V)	mm	2760×2400
Mold Thickness (Min. - max.)	mm	1300-2500
Max. Daylight	mm	5200
Mold Closing Speed (Max.)	m/min	35
Mold Opening Speed (Max.)	m/min	35
Ejector Force	ton	80
Ejector Stroke	mm	650
Mold Register Hole	mm	315



		J1	J2	K1	K2	N1	N2	P1	P2	Q1	Q2	A1	A2	R1	R2	B1	B2	C1	C2	D1	D2	E1	E2	F1	F2	G1	G2	H		
Injection Unit	Shot Weight (Hard Plastic)	g	1968	2314	2604	3087	3430	4322	4754	5658	6172	7244	7847	9101	9801	11251	13180	17939	21002	27431	31431	39780	44843	55362	61166	74011	81034	96437	106081	
	Injection Volume	cm ³	2163	2543	2861	3393	3770	4749	5224	6217	6782	7960	8623	10001	10770	12364	14483	19713	23079	30144	34540	43715	49278	60838	67216	81331	89048	105975	116573	
	Screw Diameter	mm	83	90	90	98	98	110	110	120	120	130	130	140	140	150	150	175	175	200	200	225	225	250	250	275	275	300	300	
	Injection Pressure (Maximum)	Mpa	187	159	184	155	184	146	184	155	184	157	180	155	180	157	180	132	160	123	160	126	160	130	160	132	160	134	160	
	Screw Stroke	mm	400		450		500		550		600		650		700		820		960		1100		1240		1370		1500		1650	
	Maximum Screw Speed	rpm	150		140		130		115		110		100		95		95		83		69		65		50		60		47	40
	Injection Rate	cm ³ /s	560	658	635	753	720	907	885	1053	1045	1226	1215	1409	1390	1596	1390	1892	1790	2339	2210	2797	2720	3358	3120	3775	4310	5129	4965	
	Screw Length/diameter Ratio		22.0	20.3	22.0	20.2	22.0	19.6	22.0	20.2	22.0	20.3	22.0	20.4	22.0	20.5	22.0	18.9	22.0	19.3	22.0	19.6	22.0	19.8	22.0	20.0	22.0	20.2	22.0	
	Nozzle Force	ton	13.2																											
	System Pressure	kgf/cm ²	175																											
Electrical/Heating System	Servo Pump Motor Power	kW	87		103		110		138		152		176		204		204		234		293		352		469		645		720	
	Heating Capacity	kW	38		43		48		61		71		78		96		104		130		175		218		270		330		390	
Other	Temperature Control Zones		7																											
	Oil Tank Capacity	L	2400		2450		2500		2950		3050		3400		4000		4550		4850		6650		8100		9350		11650		13150	
	Machine Dimensions (Length × Width × Height)	m	14.0x6.4x5.0		14.2x6.4x5.0		14.3x6.4x5.0		15.1x6.4x5.0		15.7x6.4x5.0		15.8x6.4x5.0		16.2x6.4x5.0		16.2x6.4x5.0		17.2x6.4x5.0		18.1x6.4x5.0		19.6x6.4x5.0		21.0x6.4x5.0		23.5x6.4x5.0		25.0x6.4x5.0	
Machine Weight (Approximate)	ton	284		285		287		289		291		293		294		295		302		310		320		333		350		370		

“Your Vision is Our Mission”