



YouTube



Facebook



LinkedIn

High-Speed Packaging series

*High-Speed Packaging Injection Moulding Machine
Engineered for Thin-Walled Products*

SPEED, SPEED-PACK II, SUPER PACK

SINCE



CHEN HSONG

Powering Your Future in Intelligent Injection Molding

Driven by its founding principle, "Your Vision is Our Mission", the Chen Hsong Group, established in 1958 and publicly listed in Hong Kong since 1991, has evolved over nearly 70 years from an injection molding machine manufacturer into a one-stop total solutions provider in plastics manufacturing. As one of the world's largest producers of injection molding machines, Chen Hsong achieves unmatched quality through complete in-house manufacturing. This vertically integrated approach means controlling everything from ductile iron castings, parts fabrication and core components (such as advanced controllers) to final assembly. With a comprehensive product matrix serving diverse industries like automotive and medical, we are also spearheading smart manufacturing upgrades through the iChen™ Smart Family Suite, including the iChen™ Smart Factory MES, iChen™ Cloud platform, and iChen™ AI Molder, making the path to Industry 4.0 easily accessible for our global clientele.

800,000m²
R&D and Production Facilities (Four locations)

85+
Countries Globally

1,000,000+
Injection Molding Machines in the Field

120+
Global Technical & Service Centres



Headquarters in Hong Kong



Shenzhen Industrial Park Factory **560000m²**



Taiwan Taoyuan Factory **30000m²**



Foshan Shunde - Two Factories **150000m²**



Zhejiang Ningbo Factory **70000m²**



Shanwei Luhe Factory **62360m²**

Over 1 million+ Chen Hsong machines are in operation worldwide.

They all use Chen Hsong.



Industry leaders choose Chen Hsong!

|SPEED High-Speed Servo Series

Applications



Thin-Walled packaging

Mobile Phones and Precision Electronics

Consumer Electronics

Medical Consumables

The SPEED series has been developed with a primary focus on delivering very high injection speeds and very short cycle times, all the while ensuring rock-solid stability and no-compromise precision. It is, literally, the best of all worlds.

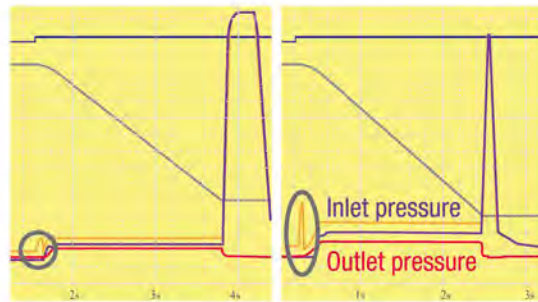
The secret ingredient behind this unbelievable performance is Precision Hydraulics™ technology - a Japanese-based technological revolution that achieves unprecedented precise and accurate motion control at the highest operating speeds. The result is performance, reliability and stability infinitely close to Japanese-standard injection moulding machines, operating at 300-500mm/s injection and as short as a 1.5-second dry cycle.

SPEED Key Technologies

Precision Hydraulics™

“Brains over Brawn”-Precision Hydraulics™ is a revolutionary technology developed by senior Japanese engineers over many years of intensive research. It employs the latest software simulation technology to virtually eliminate unnecessary pressure drops, yielding a hydraulic circuit that is highly optimised to match the performance of a Japanese-standard injection molding machine costing double or triple the price.

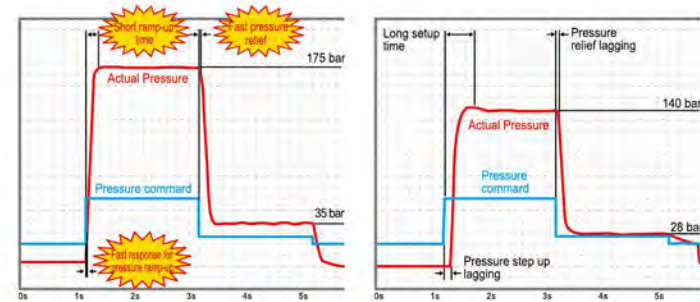
Injection Speed Response



Smooth, stable, no overshoots, no fluctuations

Competition 160-ton Fluctuations, overshoots

V/P Switch-Over



Snappy and accurate

Competition 160-ton -slow response

A new industry benchmark for low-pressure mould protection

High-precision linear potentiometers are used for the clamping, injection and ejector axes which, when combined with highly-optimised algorithms, enable superior low-pressure mould protection - effective even with obstacles thinner than 0.1mm (or the thickness of a sheet of paper)!



Before mould close, put in a sheet of standard A4 paper



Almost closing detecting paper



Low-pressure mold protection causes clamp to open



A4 Paper is not even punctured through!

SPEED All-new intelligent controller

Special Features

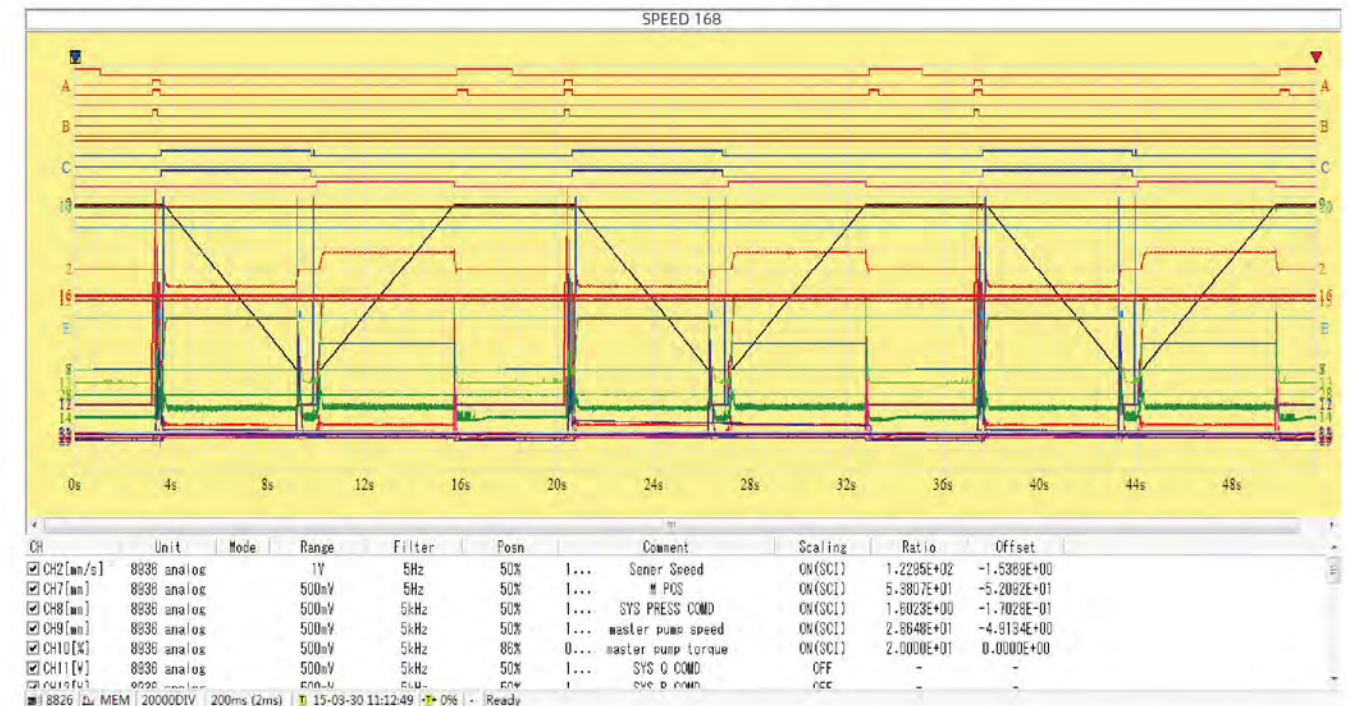
1. Complies with JIC and ICE testing standards
2. Named-brand high-definition 10" TFT color LED screen
3. Integrated EtherCAT high-speed bus system
4. Integrated closed-loop function
5. Optimize barrel temperature PID algorithms
6. Optimize injection control algorithms
7. Optimize mould open control algorithms
8. Multiple languages
9. intelligent fault diagnostics
10. Industry 4.0 interface



Industry 4.0 Framework



The entire hydraulic circuit was simulated in advanced software to highlight unnecessary pressure drops and shocks. These are then systematically eliminated through the drudging work of experienced engineers using top-of-the-line analytical tools. The result is a perfect motion curve tailor-made for the machine.



Advanced Japanese computer controller dynamically monitors minute variances in machine performance and adjusts in real-time for perfect hydraulics control. Perfect smoothness. Perfect accuracy. Perfect repeatability. Every single shot.

Fine-Tuned Performance & Mechanical Design



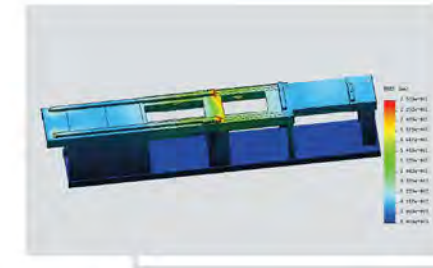
Optimised injection Unit Design Superior melt quality and plasticising speed

Standard injection unit is specially optimised for high-speed applications with higher injection speeds and pressure.



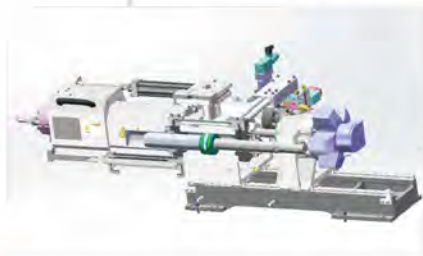
Very Thick (And Strong) Platens Minimal platen and toggle deformations

Optimised platen design distributes stresses evenly for higher part quality.



Very Strong Machine Base Machine base is rock-solid stable, ensuring the highest yield possible even for difficult products

Designed to match the unique requirements of ultra-high-speed motion curves, the machine base is specially designed to enhance structural strength, rigidity and stability by 50%, thus ensuring the highest part quality.



Balanced Dual Hydraulic Cylinders And Linear Guide Rails Low friction mechanism for high precision injection control

Non-contact potentiometers for the highest accuracy during high-speed injection: Eliminates wear and interferences for ultimate stability.

Perfect Alignment Even stress distribution helps eliminate rejects

Stress is channelled through the centre of the moving platen before distributing outwards evenly. Advanced Japanese mechanical design guarantees perfect alignment of the four corners at all moments, effectively eliminating flashes.

*Product images are for reference only and subject to change without notice.

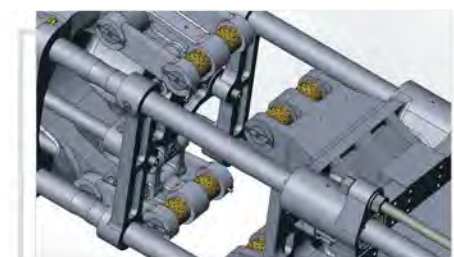


Ultra High Speed, High Precision, Fast Responses Top-of-the-line high-response servomotor with 2x faster dynamic responses

Faster responses for higher repeatability, control precision and energy efficiency.

Oil-Less Graphite Bushings Friction-free, oil-free

Self-lubricating bushings have no need for lubricating oil while providing superior lubrication day in and day out, reducing unnecessary wear. Result is less pollution, less wear, less costs. Everyone wins.



SPEED Specifications

		SPEED 128		SPEED 168		SPEED 208		SPEED 258		SPEED 328		SPEED 398		SPEED 468	
INJECTION UNIT		A	B	A	B	A	B	A	B	A	B	A	B	A	B
Screw Diameter	mm	31	36	36	41	41	46	41	46	46	52	60	67	60	67
Screw L/D Ratio	L/D	24.4	21	23.9	21	23.6	21	23.6	21	23.7	21	23.5	21	23.5	21
Screw Stroke	mm	180		205		230		230		260		335		335	
Swept Volume	cm ³	136	183	209	271	304	382	304	382	432	552	947	1181	947	1181
Shot Weight (PS)	g	124	167	190	246	276	348	276	348	393	502	862	1075	862	1075
	oz	4.4	5.9	6.7	8.7	9.7	12.3	9.7	12.3	13.9	17.7	30.4	37.9	30.4	37.9
Injection Pressure (Max.)	kgf/cm ²	2548	1890	2451	1890	2119	1683	2119	1683	2419	1893	1867	1497	1867	1497
Injection Rate	cm ³ /s	226	305	305	396	396	499	396	499	499	637	848	1058	848	1058
Injection Speed	mm/s	300		300		300		300		300		300		300	
Screw Rotation Speed (Max.)	rpm	300		300		300		300		300		300		300	
Screw Nozzle Force (Max.)	t	4.2		4.2		6.2		6.2		6.2		9.1		9.1	
Nozzle Stroke	mm	275		290		330		330		380		440		440	
CLAMPING UNIT															
Clamping Force (Max.)	t	128		168		208		258		328		398		468	
Opening Stroke	mm	380		450		510		560		660		720		820	
Space Between Tie Bar (HxV)	mm	410x410		470x470		530x530		580x580		680x680		730x730		830x830	
Mold Thickness (Min-Max)	mm	150-450		170-520		180-550		190-580		225-680		250-730		300-850	
Ejector Force	t	3.4		4.2		6.7		6.7		11.1		11.1		16.6	
Ejector Stroke	mm	120		140		150		150		180		215		220	
Mold Register Hole	mm	125		125		160		160		160		160		200	
POWER/HEATING UNIT															
System Pressure	kgf/cm ²	175		175		175		175		175		175		175	
Motor Power	kw	34		40		40		40		40+34		40+40		40+40	
Electrical Heating Power	kw	10.5		13		16.5		16.5		21		33.7		33.7	
Temperature Control Zones		3+1		3+1		3+1		3+1		3+1		4+1		4+1	
OTHERS															
Machine Dimensions (LxWxH)	m	4.82x1.24x1.82		5.18x1.29x1.89		5.79x1.36x1.9		5.98x1.46x1.95		7.14x1.78x2.09		7.97x1.85x2.14		8.72x2.03x2.24	
Oil Tank Capacity	liter	200		250		330		330		580		760		850	
Machine Weight (Approx.)	t	4.2		5.5		7.5		8.5		13.5		17		21	
MOLD PLATEN DIMENSIONS															
Mounting Holes															
T slots with mounting holes (Optional)															

SPEED-PACK II

High Speed, High Stability, High Precision – All At The Same Time

Chen Hsong develops the revolutionary SPEED-PACK series of packaging machines based on its highly-popular SPEED series of high-speed injection moulding machines. Its secret lies with Chen Hsong's remarkable Precision Hydraulics™ technology (developed in Japan) that enables extremely high speed, but silky-smooth, mechanical motion while maintaining superb sub-millimeter precision.

In other words, the SPEED-PACK is tailor-made for packaging.

Exclusive Precision Hydraulics™ technology endows the SPEED-PACK II with performance close to high-end Japanese hydraulic offerings. Exceptional speed, stability, repeatability and precision are all in a different league from competition offerings. Case in point: a complete dry clamping cycle requires only 1.5 seconds, while achieving 500mm/s on injection.



Precision Hydraulics™

500 mm/s
Maximum injection speed

*Product images are for reference only and subject to change without notice.

High Efficiency Specialty Screw

Superior melt quality and plasticising speed

Standard for the SPEED-PACK II is a screw specially designed for high-speed and high-quality plasticising needs of the packaging industry, with 50% higher injection speed, higher injection pressure and enhanced precision all round.

Very Strong Machine Base

Machine base is rock-solid stable, ensuring the highest yield possible even for difficult products

Designed to match the unique requirements of ultra-high-speed motion curves, the machine base is specially designed to enhance structural strength, rigidity and stability by 50%, thus ensuring the highest part quality. Lowered center of gravity of the machine gives much smoother, stable and mechanical movements.

Very Thick (And Strong) Platen

Minimal platen and toggle deformations

Optimised platen design distributes stresses evenly for higher part quality

Perfect Alignment

Even stress distribution helps eliminate rejects

Stress is channelled through the centre of the moving platen before distributing outwards evenly. Advanced Japanese mechanical design guarantees perfect alignment of the four corners at all moments, effectively eliminating flashes.

Balanced Dual Hydraulic Cylinders and Linear Guide Rails

Low friction mechanism for high precision injection control

Non-contact potentiometers for the highest accuracy during high-speed injection; Eliminates wear and interferences for ultimate stability.

Ultra High Speed, High Precision, Fast Responses

Top-of-the-line high-response servomotor with 2x faster dynamic responses

Faster responses for higher repeatability, control precision and energy efficiency. A power pack that is 30% larger for much higher production efficiency.

SPEED-PACK II

Engineered for Diverse Production Scenarios

260
ton

SPEED-PACK II 260

6.08x1.70x1.84
570x570



SPEED-PACK II 330

7.16x1.78x2.00
670x670



SPEED-PACK II 400

8.02x1.93x2.05
720x720



SPEED-PACK II 470

8.78x2.03x2.10
820x820



SPEED-PACK II 570

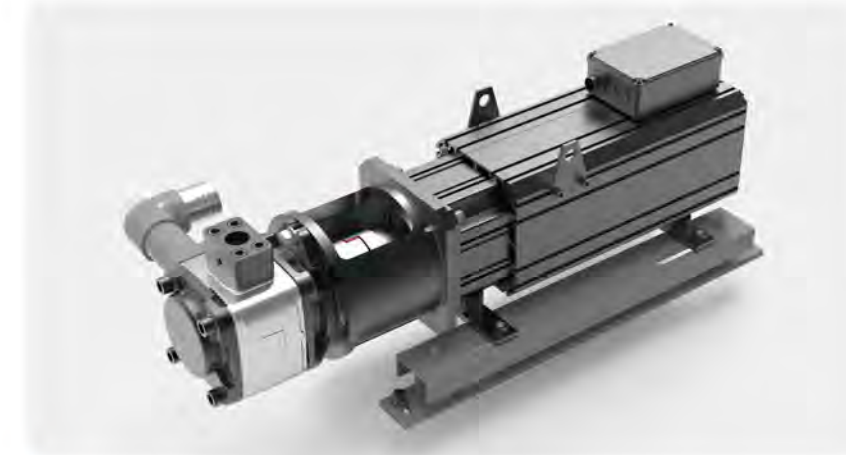
8.94x1.90x1.98
850x850



570
ton

Details - Always the Details

Secrets to the SPEED-PACK II's superior performance



Precision Hydraulics™

Developed by high-end Japanese hydraulic experts, Precision Hydraulics™ technology optimises the entire hydraulic circuit, removing kinks and shocks, ensuring fine-tuned hydraulic oil control in order to achieve silky-smooth and highly-repeatable mechanical motion.

Third-party tests have repeatedly shown that an injection moulding machine equipped with Precision Hydraulics™ performs close to high-end Japanese hydraulic offerings.

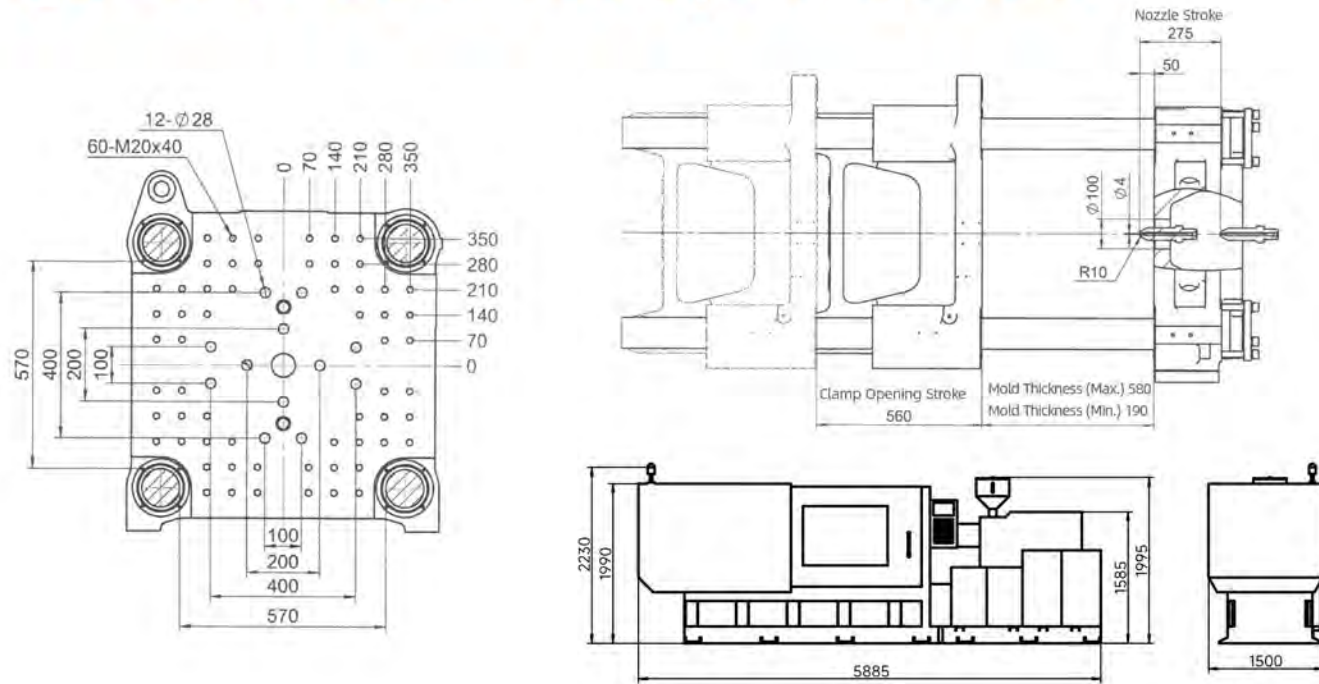
When Precision Hydraulics™ is used to drive a custom-designed, ultra-high-response servosystem, and controlled by an advanced, high-end, high-response intelligent computer controller close-looping over a high-speed digital bus, the result is unbelievable precision, stability and repeatability that are exactly the hallmarks of the SPEED-PACK II.

Precision Hydraulics™

1. Complies with JIS and IEC testing standards
2. Named-brand high-definition 10" TFT color LED
3. Integrated EtherCAT high-speed bus system
4. Integrated Closed-Loop Control Function
5. Advanced SMT technology with highest stability and reliability
6. Intelligent fault diagnostics
7. Online operational instructions
8. Industry 4.0 Interface

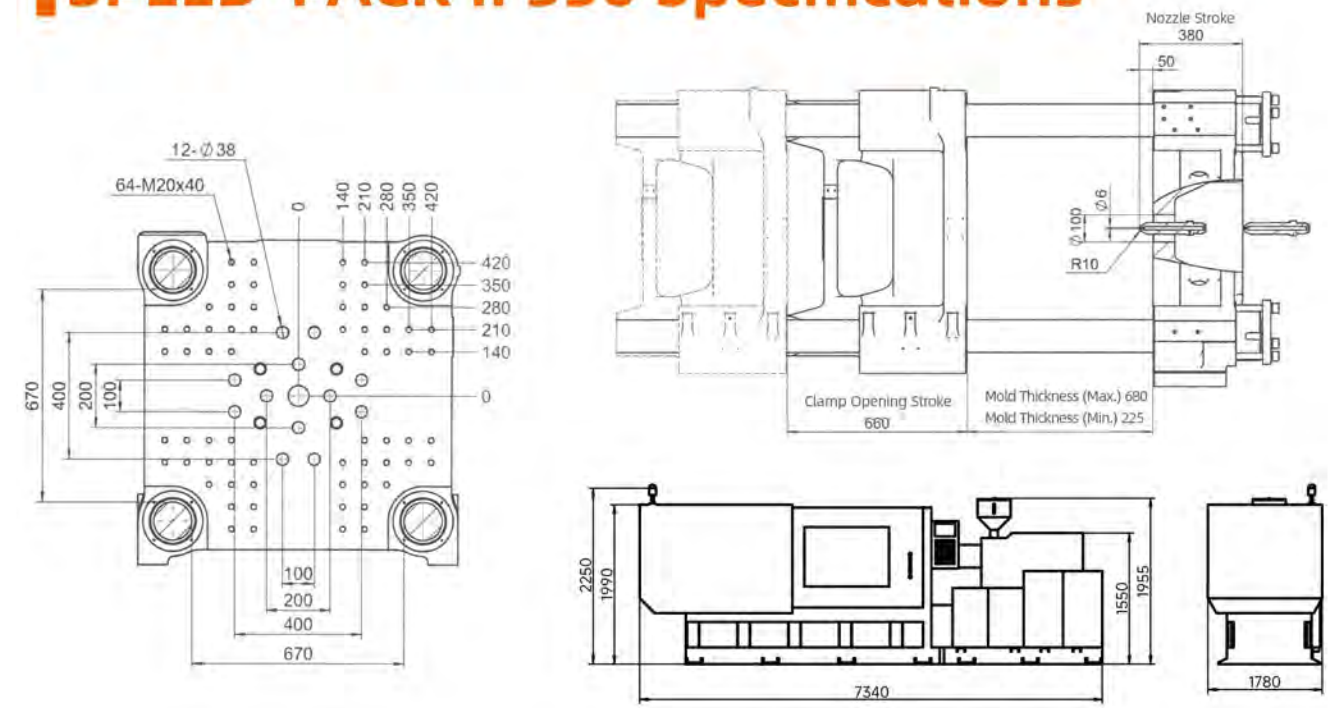


SPEED-PACK II 260 Specifications



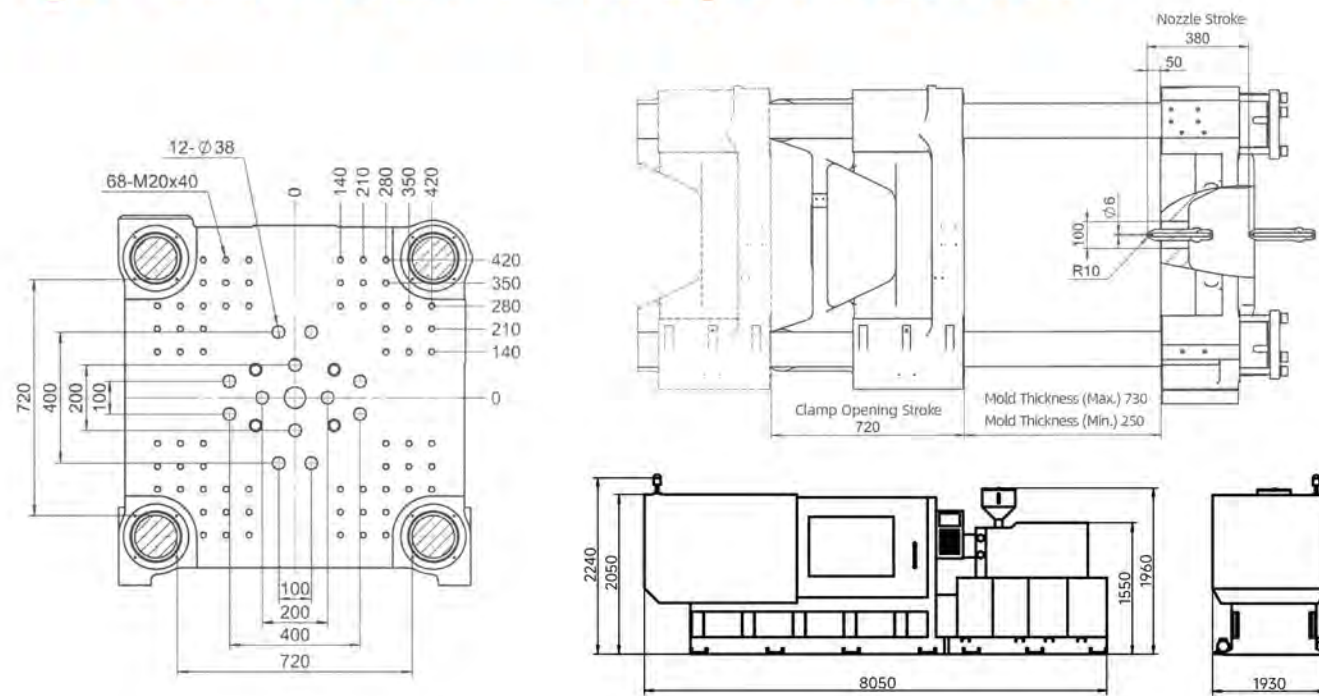
Injection Unit		A	B	Clamping Unit		
Screw Diameter	mm	31	36	Clamping Unit	ton	260
Screw L/D Ratio	L/D	24.4	21	Clamp Opening Stroke	mm	560
Screw Stroke	mm	180		Space Between Tie Bars (HxV)	mm	570x570
Swept Volume	cm ³	136	183	Mold Thickness (Min-Max)	mm	190-580
Shot Weight (PS)	g	124	167	Ejector Force	ton	6.7
	oz	4.4	5.9	Ejector Stroke	mm	120
Injection Pressure (Max.)	kgf/cm ²	2549	1890	Mould Register Hole	mm	100
Injection Rate	cm ³ /s	340	458	Power Pack		
Injection Speed (Max.)	mm/s	450		System Pressure	kgf/cm ²	175
Screw RPM (Max.)	rpm	300		Pump Power	kW	40
Nozzle Thrust (Max.)	ton	4.2		Heating Power	kW	8
Nozzle Stroke	mm	275		Temperature Control Zone		3+1
Others						
Machine Dimensions(LxWxH)	m	5.88x1.99x1.50				
Oil Tank Capacity	L	330				
Machine Weights (Approx.)	ton	7.5				

SPEED-PACK II 330 Specifications



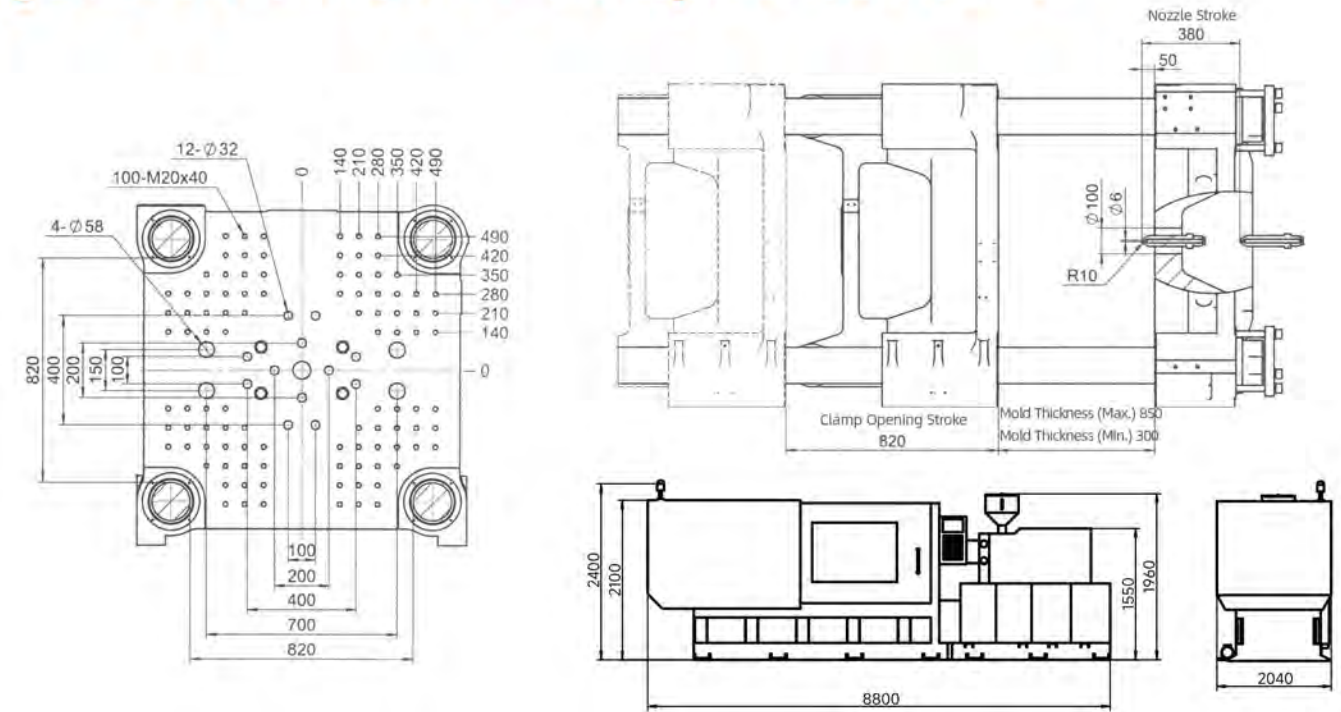
Injection Unit		A	B	Clamping Unit		
Screw Diameter	mm	46	52	Clamping Unit	ton	330
Screw L/D Ratio	L/D	26	26	Clamp Opening Stroke	mm	660
Screw Stroke	mm	260		Space Between Tie Bars (HxV)	mm	670x670
Swept Volume	cm ³	432	552	Mold Thickness (Min-Max)	mm	225-680
Shot Weight (PS)	g	393	502	Ejector Force	ton	11.1
	oz	13.9	17.7	Ejector Stroke	mm	110
Injection Pressure (Max.)	kgf/cm ²	2084	1631	Mould Register Hole	mm	100
Injection Rate	cm ³ /s	831	1062	Power Pack		
Injection Speed (Max.)	mm/s	500		System Pressure	kgf/cm ²	175
Screw RPM (Max.)	rpm	300		Pump Power	kW	51+40
Nozzle Thrust (Max.)	ton	6.2		Heating Power	kW	22
Nozzle Stroke	mm	380		Temperature Control Zone		4+1
Others						
Machine Dimensions(LxWxH)	m	7.34x1.99x1.78				
Oil Tank Capacity	L	700				
Machine Weights (Approx.)	ton	13.5				

SPEED-PACK II 400 Specifications



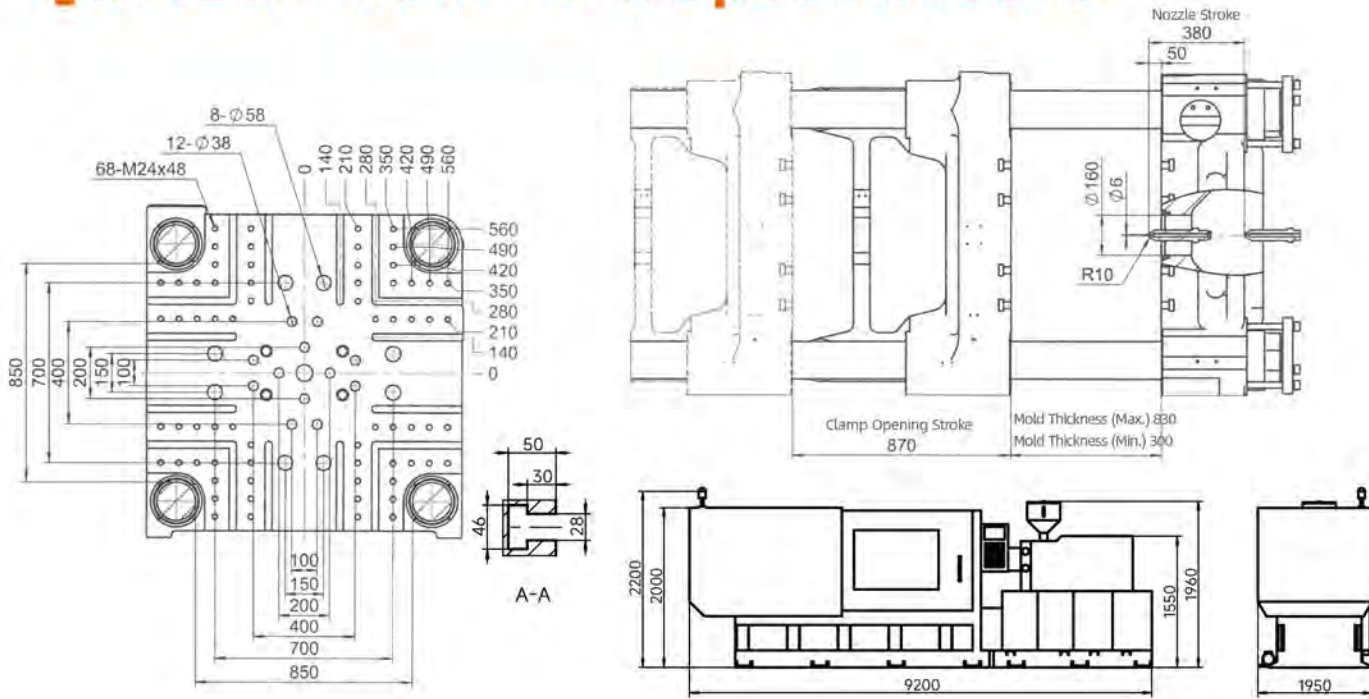
Injection Unit		A	B	Clamping Unit	
Screw Diameter	mm	52	60	Clamping Unit	ton
Screw L/D Ratio	L/D	26	26	Clamp Opening Stroke	mm
Screw Stroke	mm	260		Space Between Tie Bars (HxV)	mm
Swept Volume	cm ³	552	735	Mold Thickness (Min-Max)	mm
Shot Weight (PS)	g	502	669	Ejector Force	ton
	oz	17.7	23.6	Ejector Stroke	mm
Injection Pressure (Max.)	kgf/cm ²	1631	1225	Mould Register Hole	mm
Injection Rate	cm ³ /s	1062	1414	Power Pack	
Injection Speed (Max.)	mm/s	500		System Pressure	kgf/cm ²
Screw RPM (Max.)	rpm	300		Pump Power	kW
Nozzle Thrust (Max.)	ton	6.2		Heating Power	kW
Nozzle Stroke	mm	380		Temperature Control Zone	4+1
Others					
Machine Dimensions(LxWxH)	m	8.05x2.05x1.93			
Oil Tank Capacity	L	760			
Machine Weights (Approx.)	ton	15.8			

SPEED-PACK II 470 Specifications



Injection Unit		A	B	Clamping Unit	
Screw Diameter	mm	52	60	Clamping Unit	ton
Screw L/D Ratio	L/D	26	26	Clamp Opening Stroke	mm
Screw Stroke	mm	260		Space Between Tie Bars (HxV)	mm
Swept Volume	cm ³	552	735	Mold Thickness (Min-Max)	mm
Shot Weight (PS)	g	502	669	Ejector Force	ton
	oz	17.7	23.6	Ejector Stroke	mm
Injection Pressure (Max.)	kgf/cm ²	1631	1225	Mould Register Hole	mm
Injection Rate	cm ³ /s	1062	1414	Power Pack	
Injection Speed (Max.)	mm/s	500		System Pressure	kgf/cm ²
Screw RPM (Max.)	rpm	300		Pump Power	kW
Nozzle Thrust (Max.)	ton	6.2		Heating Power	kW
Nozzle Stroke	mm	380		Temperature Control Zone	4+1
Others					
Machine Dimensions(LxWxH)	m	8.80x2.10x2.40			
Oil Tank Capacity	L	850			
Machine Weights (Approx.)	ton	18.5			

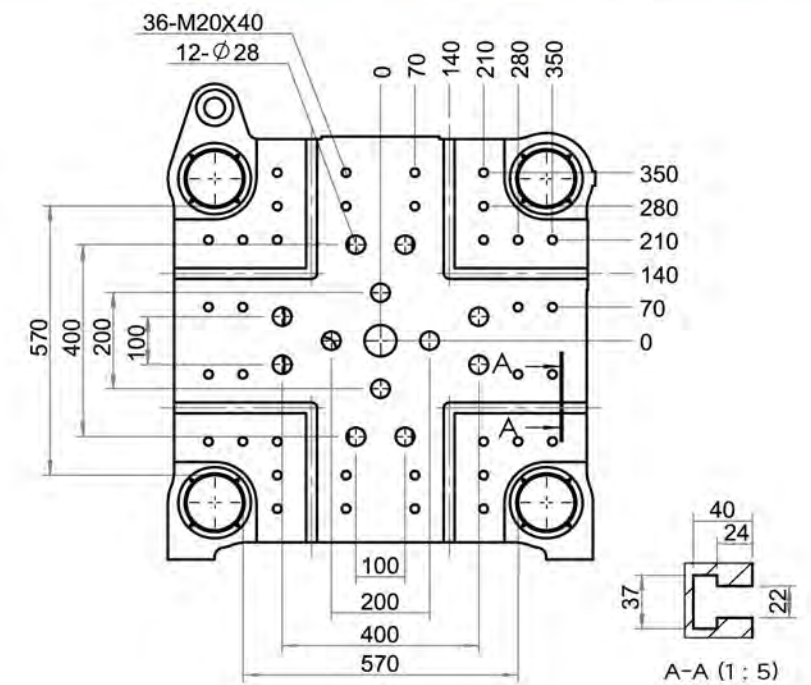
SPEED-PACK II 570 Specifications



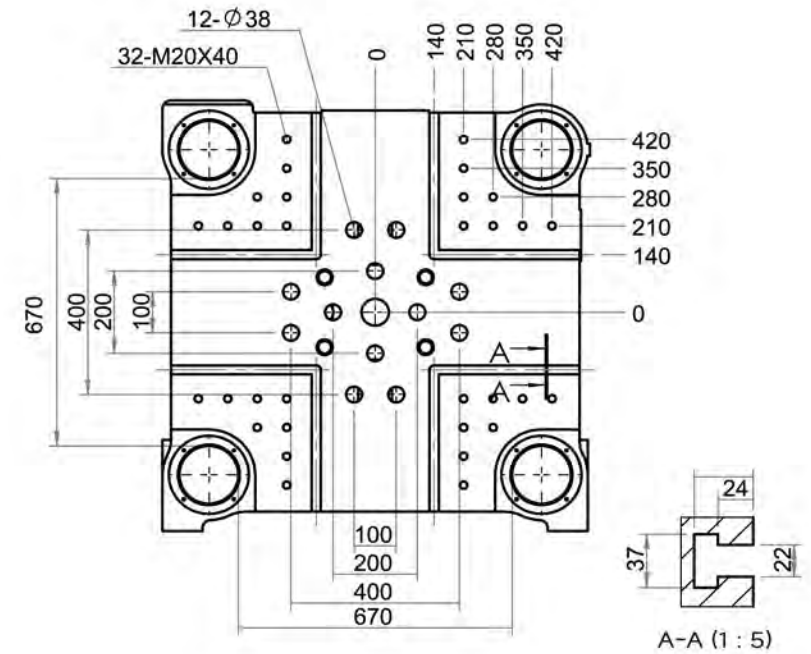
Injection Unit		A	B	Clamping Unit	
Screw Diameter	mm	52	60	Clamping Unit	ton
Screw L/D Ratio	L/D	26	26	Clamp Opening Stroke	mm
Screw Stroke	mm	260		Space Between Tie Bars (HxV)	mm
Swept Volume	cm ³	552	735	Mold Thickness (Min-Max)	mm
Shot Weight (P5)	g	502	669	Ejector Force	ton
	oz	17.7	23.6	Ejector Stroke	mm
Injection Pressure (Max.)	kgf/cm ²	1631	1225	Mould Register Hole	mm
Injection Rate	cm ³ /s	1062	1414	Power Pack	
Injection Speed (Max.)	mm/s	500		System Pressure	kgf/cm ²
Screw RPM (Max.)	rpm	300		Pump Power	kW
Nozzle Thrust (Max.)	ton	6.2		Heating Power	kW
Nozzle Stroke	mm	380		Temperature Control Zone	4+1
Others					
Machine Dimensions(LxWxH)	m	9.20x1.96x1.95			
Oil Tank Capacity	L	850			
Machine Weights (Approx.)	ton	22.5			

T-slots with mounting holes (Optional)

SPEED-PACK II 260



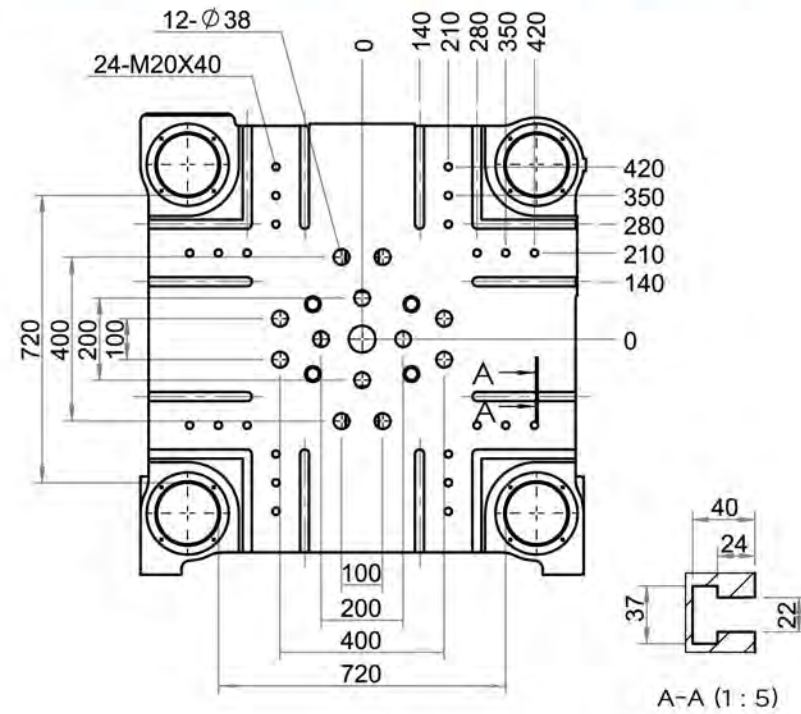
SPEED-PACK II 330



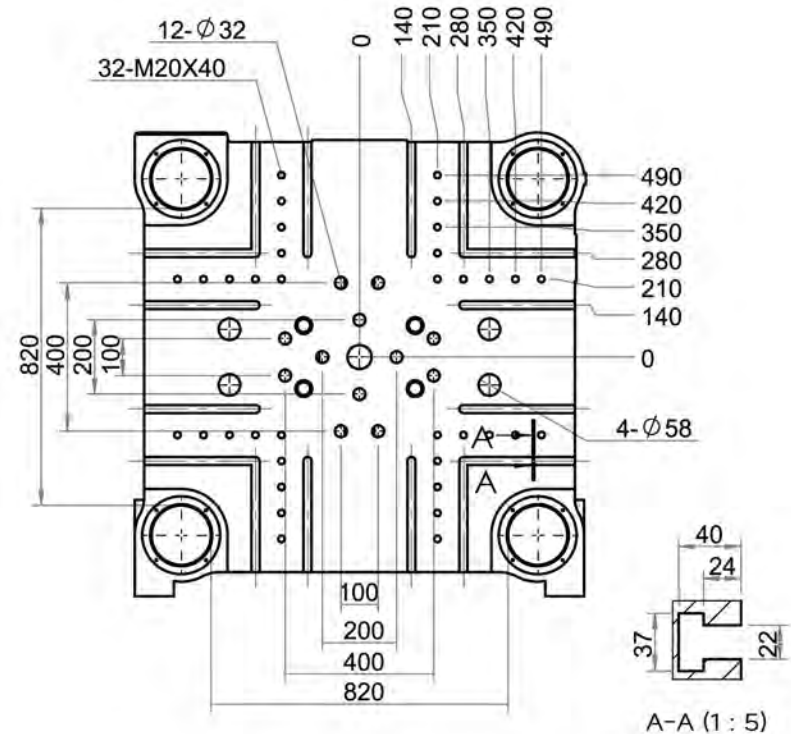
*The above technical parameters are for reference only, and there may be deviations under different circumstances. The company continues to improve production, so it reserves the right to change product specifications and parameters without prior notice. The final interpretation of this specification sheet is governed by the company.

T-slots with mounting holes (Optional)

SPEED-PACK II 400



SPEED-PACK II 470



*The above technical parameters are for reference only, and there may be deviations under different circumstances. The company continues to improve production, so it reserves the right to change product specifications and parameters without prior notice. The final interpretation of this specification sheet is governed by the company.

SPEED-PACK II Features

Standard Features

1. 10" High-Dynamic Touchscreen Controller
2. High-Dynamic Servo Power Unit
3. High-Response Hydraulic Control Module
4. Packaging-Specific Plasticizing Unit
5. Infrared Barrel Heating System
6. Low-Resistance Injection Nozzle
7. Non-Contact Magneto-Inductive Transducer for Injection
8. 4/6-Point Air Ejection System
9. Robotic Interface Terminal Box
10. Cooling Water Manifold: 12(24) Inlet/Outlet w/ DN10 Quick Couplers
11. High-Precision Bypass Oil Filter
12. Front/Rear Safety Doors Flush with Machine Frame
13. Oversized Vibration Dampers
14. Enhanced Capacity Oil Cooler
15. Tri-Color Tower Light

Optional Features

1. 15" High-Dynamic Touchscreen Controller
2. Customized Injection Nozzle
3. Pneumatic/Hydraulic Shut-Off Nozzle
4. Oil-Water Separation Lubrication System
5. 6-12 Point Air Ejection System
6. 1-20 Circuit Hot Runner Valve Gate Control & Interface
7. 1-60 Circuit Hot Runner Control & Interface
8. Synchronized Ejection System
9. Synchronized Plasticizing Control
10. Electromagnetic Barrel Heating System
11. Nano-Aerogel Energy-Saving Insulation Blanket
12. EUROMAP 12 Robotic Interface
13. EUROMAP 67 Robotic Interface
14. High-Stability Hydraulic Control Unit
15. Step-Adjustable Mold Clamping Plates w/ T-Slots
16. Oversized Material Hopper

*This test data is obtained from CHEN HSONG Innovation Technology Center Laboratory.

| SUPER PACK Core Features

- | Superior repeatability.
- | High-performance tie-bars with long usage life.
- | Tailor-made for thin-walled packaging applications.
- | No-weld piping and flanges eliminate any possibility of oil leaks.
- | Enhanced rigidity and thickened platens for stable and high-quality production.
- | Infrared heater bands provide superior heating efficiency and insulation for greener manufacturing.
- | One of the largest power packs in the industry for consistent high-pressure injection and easy setup of any application.
- | High-end intelligent computer controller with fast CPU for microsecond-grade ultra-fast dynamic responses. Coupled with advanced hydraulics, it enables much higher speeds, shorter cycle times at consistent high precision and dimensional stability.



Photos are for reference only.

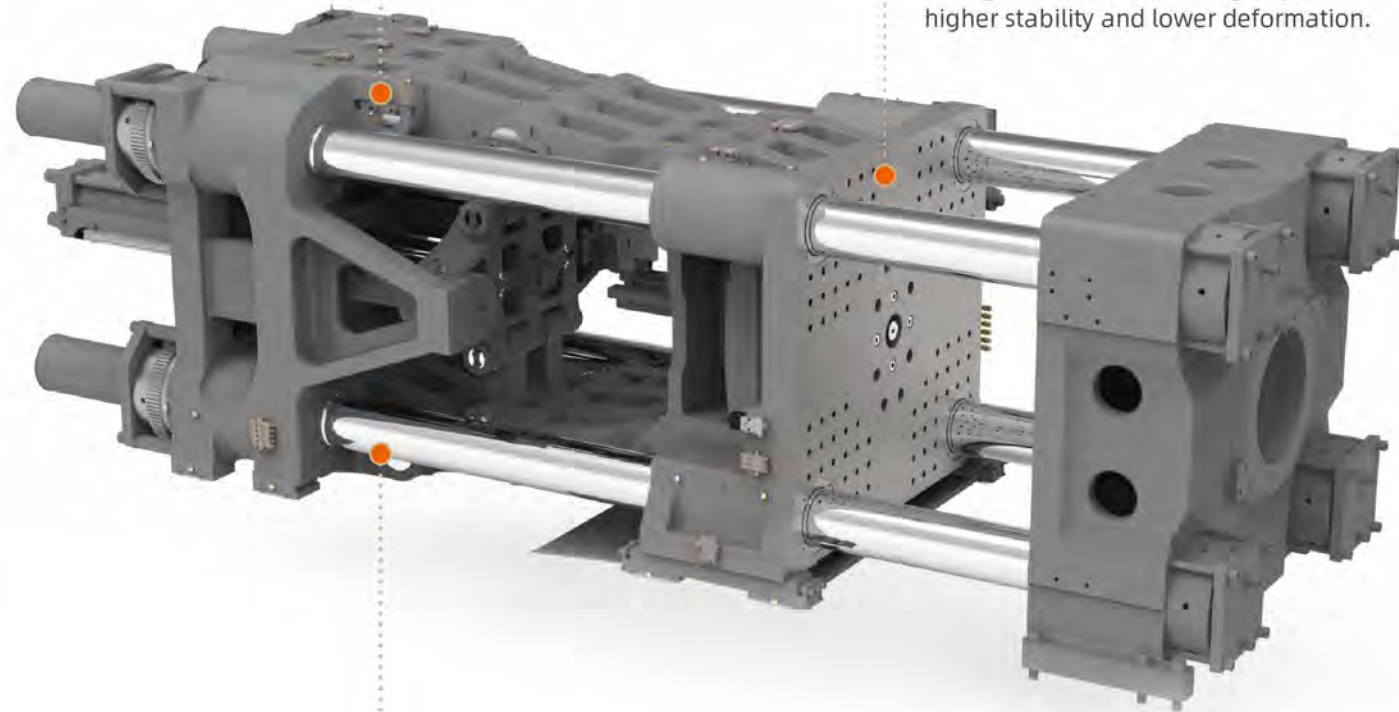
| SUPER PACK Clamping Unit

| Toggle Pin

Utilizes specialised nitrided pins, increased pin size significantly reduces stress. Contact stress exceeds industry standards, enhancing durability.

| Thickened Platens with High Rigidity

Platens are thickened and all castings strengthened to increase rigidity for higher stability and lower deformation.



| High-Performance Tie-bars

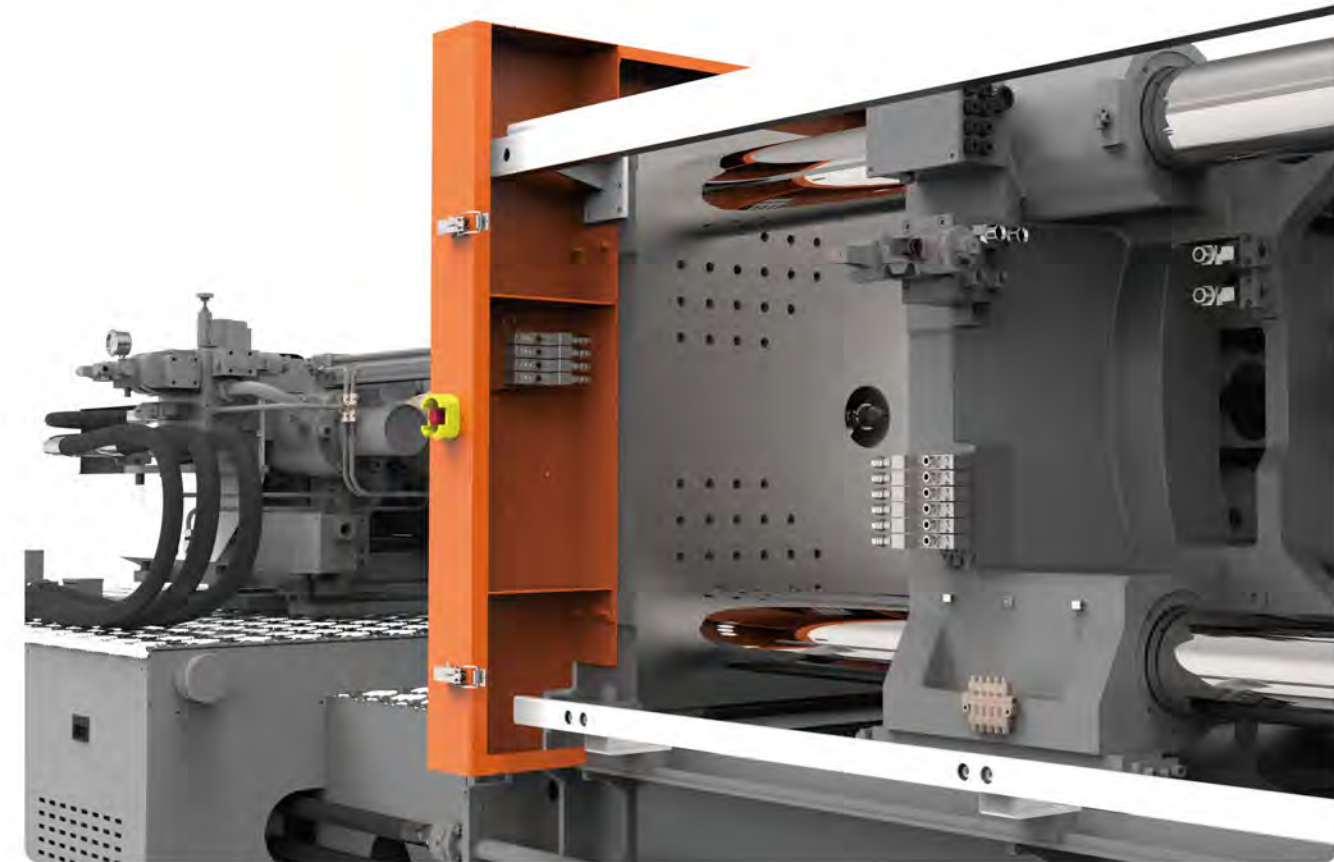
Thicker tie-bars with larger diameters increase the stability and rigidity of the clamping unit, resulting in less deformation, more even stress distribution, smoother dynamical movements, higher positional precision, lower wear and longer usage life.

| Air Blows

Further reduce cycle time.

| Pneumatic Sequential Control

To cater for a wider range of applications.

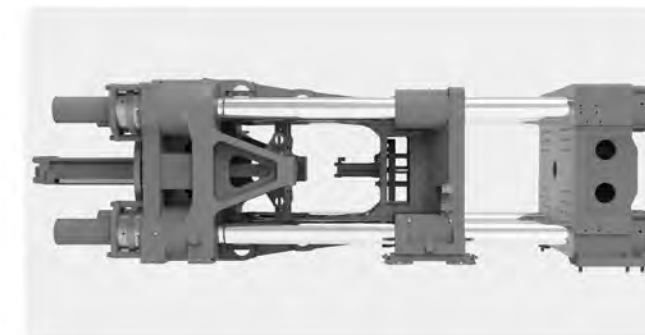


| Even Distribution of Clamping Force

Unique centralised design of the stationary and moving platens ensure more even distribution of the clamping force over the usable area of the platens, resulting in high product quality and much fewer defects such as flashes.

| Mold Adjustment Motor with Brakes

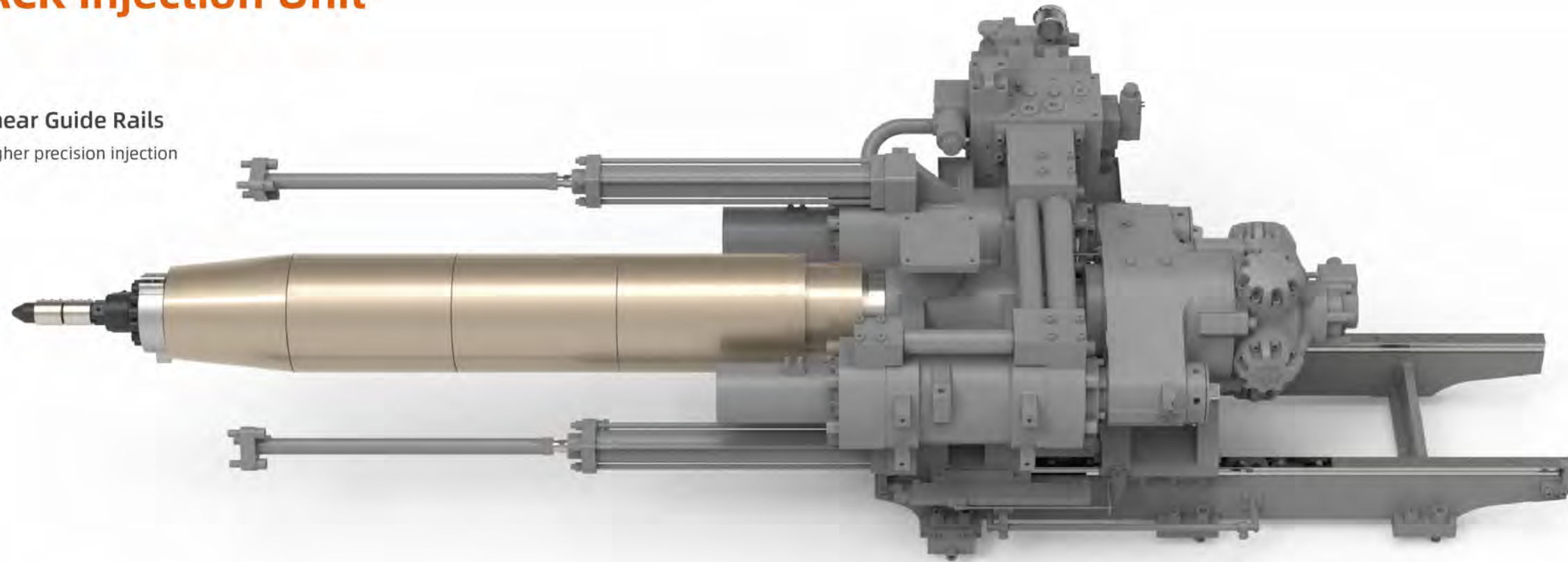
Higher stability for 24x7 production



Photos are for reference only.

SUPER PACK Injection Unit

High-Precision Linear Guide Rails
Smoother, faster and higher precision injection



High Efficiency Screw Design
Designed specifically for thin-walled packaging, up to 51% higher plasticising rate for really short cycle times.



Infrared Heater Bands
High heat efficiency, faster adjustments, better insulation, more energy efficient for greener manufacturing.



Balanced Dual Injection Cylinders
Essential for high-speed injection movements.



Non-contact Potentiometers
For the highest motion-control precision during high-speed injection.



Photos are for reference only.

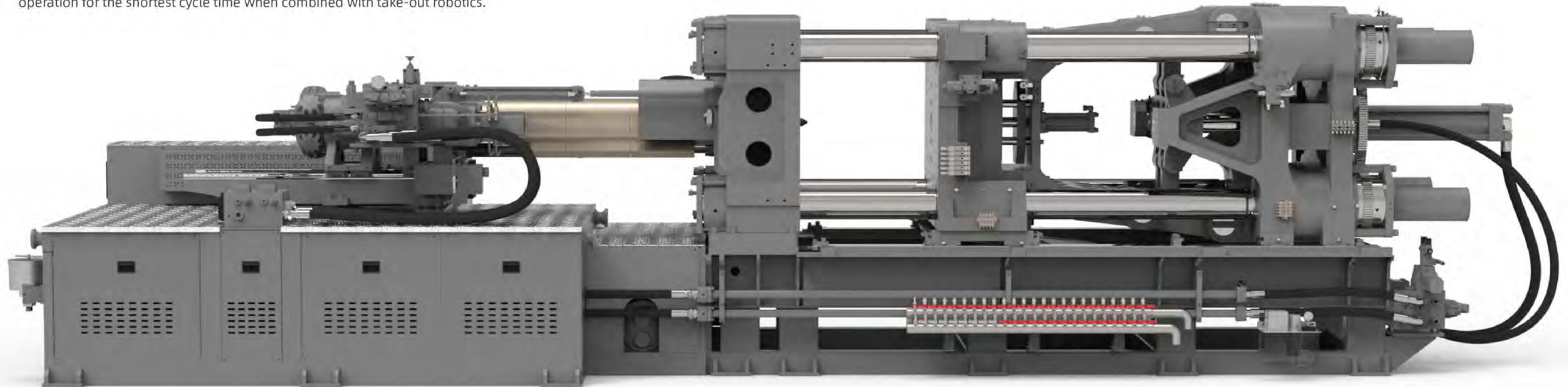
SUPER PACK Hydraulics

No-Weld Piping and Flanges

Eliminate oil leaks.

Proportional Valve for Clamping

High positional precision and accuracy of platen movements during high-speed operation for the shortest cycle time when combined with take-out robotics.

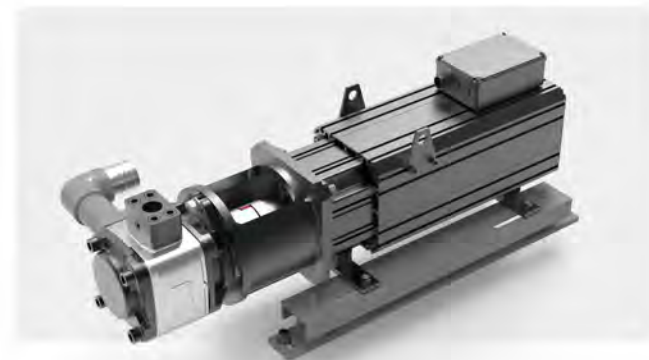


High-Response Servo Drive

29% power pack than industry-standard for much higher power efficiency and to tackle the toughest jobs.

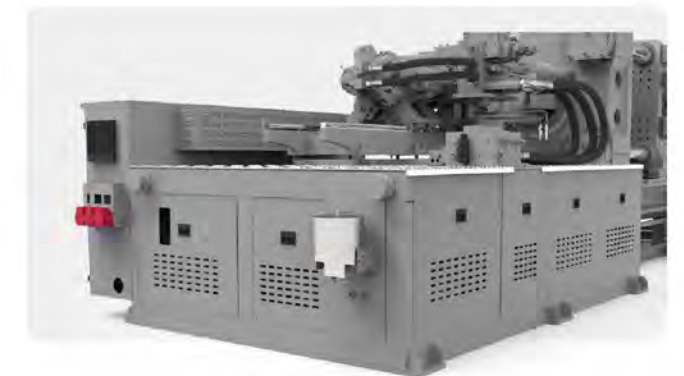
Specialised High-Speed Pump System

High-efficiency, low-noise internal gear pump designed specifically for high-speed and high-pressure operation.



NAS6 By-Pass Oil Filter

Ensures clean hydraulic oil and reduces wear on hydraulic components for high long-term stability and usage life.

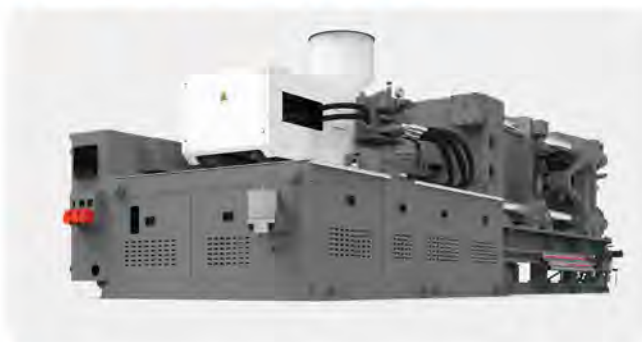


SUPER PACK Controls



- | EtherCAT high-speed digital bus, integrated closed-loop control.
- | Complies with IEC and JIS standards.
- | Advanced SMT technology with high stability and reliability.
- | Intelligent fault diagnostics.

Other Notable Features



High-Rigidity Machine Base

Rigidity of the machine base is strengthened by 50% over industry common, with almost 10% lower centre of gravity, ensuring silky-smooth high-speed movements, high stability and repeatability, plus lower defects.

Photos are for reference only.

SUPER PACK Features

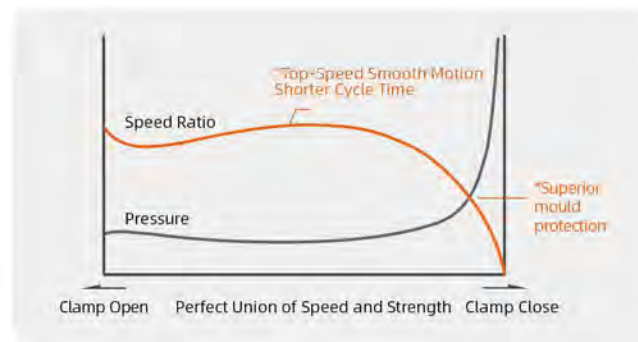
Standard Features

1. 10" High-Dynamic Touchscreen Controller
2. High-Dynamic Servo Power Unit
3. High-Response Hydraulic Control Module
4. Packaging-Specific Plasticizing Unit
5. Infrared Barrel Heating System
6. Low-Resistance Injection Nozzle
7. Non-Contact Magneto-Inductive Transducer for Injection
8. 4/6-Point Air Ejection System
9. Robotic Interface Terminal Box
10. Cooling Water Manifold: 12(24) Inlet/Outlet w/ DN10 Quick Couplers
11. High-Precision Bypass Oil Filter
12. Front/Rear Safety Doors Flush with Machine Frame
13. Oversized Vibration Dampers
14. Enhanced Capacity Oil Cooler
15. Tri-Color Tower Light

Optional Features

1. 15" High-Dynamic Touchscreen Controller
2. Customized Injection Nozzle
3. Pneumatic/Hydraulic Shut-Off Nozzle
4. Oil-Water Separation Lubrication System
5. 6-12 Point Air Ejection System
6. 1-20 Circuit Hot Runner Valve Gate Control & Interface
7. 1-60 Circuit Hot Runner Control & Interface
8. Synchronized Ejection System
9. Synchronized Plasticizing Control
10. Electromagnetic Barrel Heating System
11. Nano-Aerogel Energy-Saving Insulation Blanket
12. EUROMAP 12 Robotic Interface
13. EUROMAP 67 Robotic Interface
14. High-Stability Hydraulic Control Unit
15. Step-Adjustable Mold Clamping Plates w/ T-Slots
16. Oversized Material Hopper

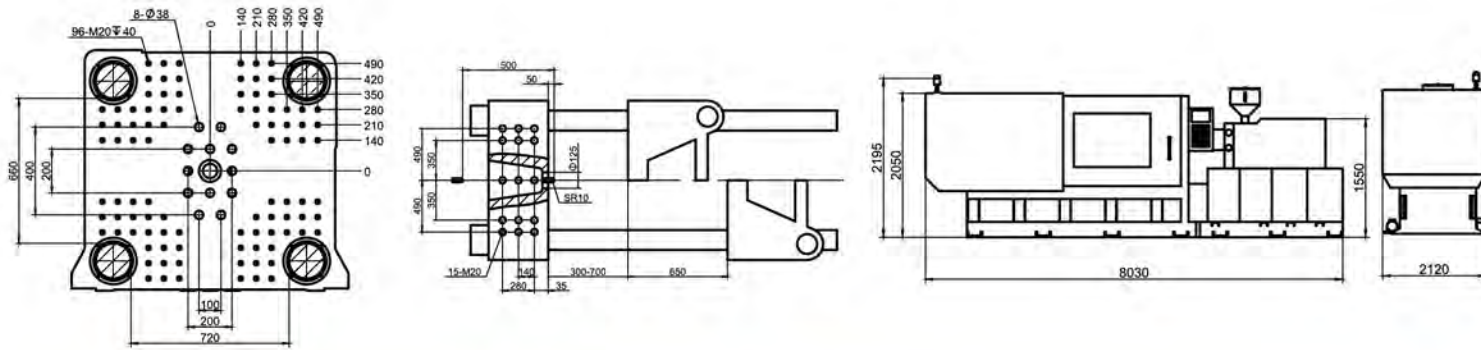
*This test data is obtained from CHEN HSONG Innovation Technology Center Laboratory.



Precision Hydraulics™

Precise control of hydraulics through high-precision algorithms and patented technology for high efficiency, stability and safety in the entire production process.

SUPER PACK 430 Specifications



Injection Unit

Screw Diameter	mm	60
Screw L/D Ratio	L/D	26
Screw Stroke	mm	200
Swept Volume	cm ³	565
Shot Weight (PS)	g	515
	oz	18.1
Injection Pressure (Max.)	kgf/cm ²	1699
Injection Rate	cm ³ /s	1328
Nozzle Thrust (Max.)	ton	6.2
Nozzle Stroke	mm	500

Others

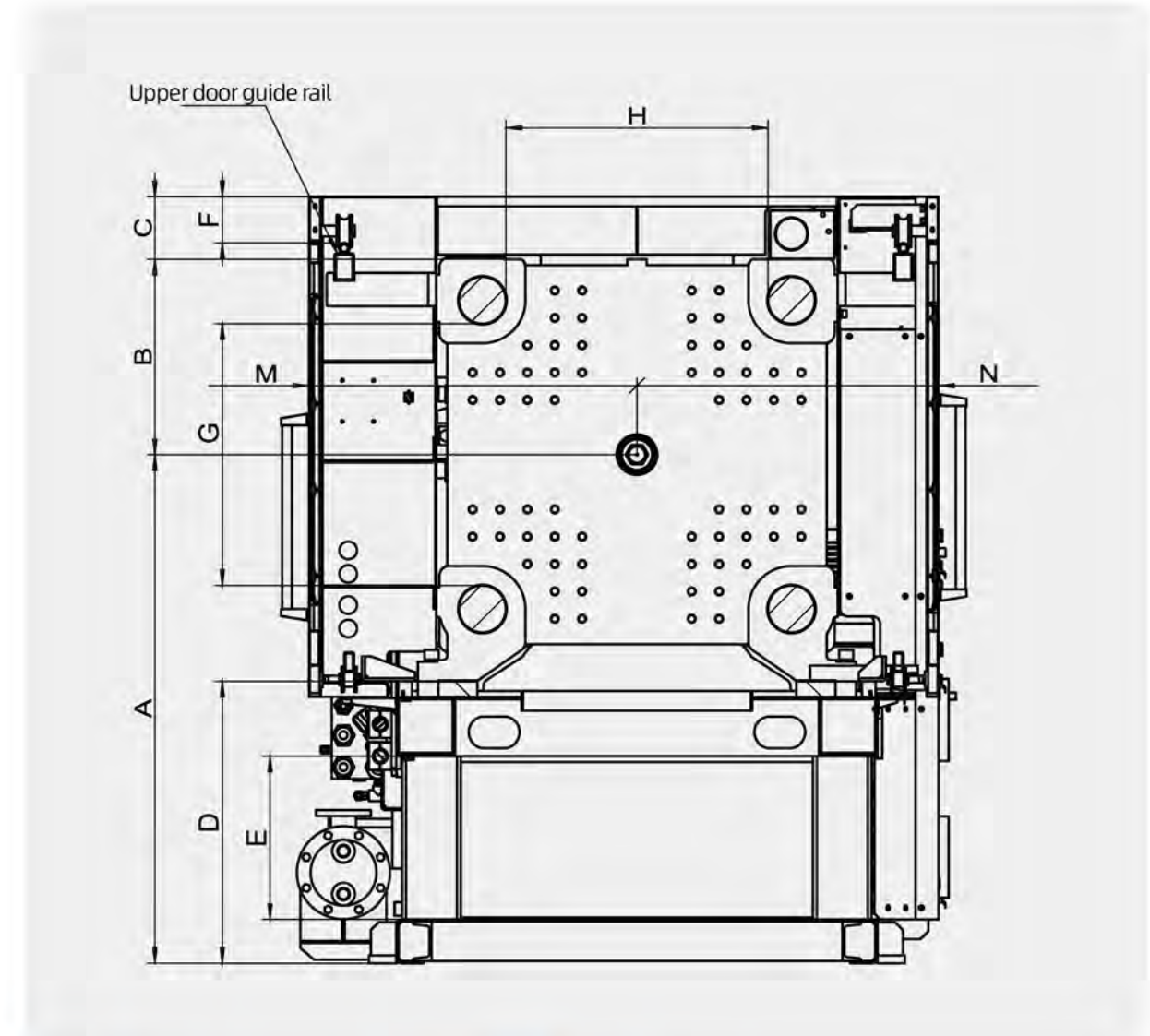
Machine Dimensions(LxWxH)	m	8.0x2.1x2.2
Machine Weights (Approx.)	ton	19.8

Clamping Unit

Clamping Unit	ton	428
Clamp Opening Stroke	mm	650
Space Between Tie Bars (HxV)	mm	720x660
Mold Thickness (Min)	mm	300
Mold Thickness (Max)	mm	700
Ejector Force	ton	7.7
Ejector Stroke	mm	160
Mould Register Hole	mm	125

Power Pack

System Pressure	kgf/cm ²	190
Pump Power	kW	51+51
Heating Power	kW	25
Temperature Control Zone		4+1



Robot Arm Specifications

Series	Model	A	B	C	D	E
SUPER PACK	430	1285	570	134	670	230
Series	Model	F	G	H	M	N
SUPER PACK	430	182	660	720	925	845

*All technical parameters are for reference only and may vary under different conditions. The company reserves the right to modify product specifications and parameters without notice. Final interpretation of this specification sheet belongs solely to the company.